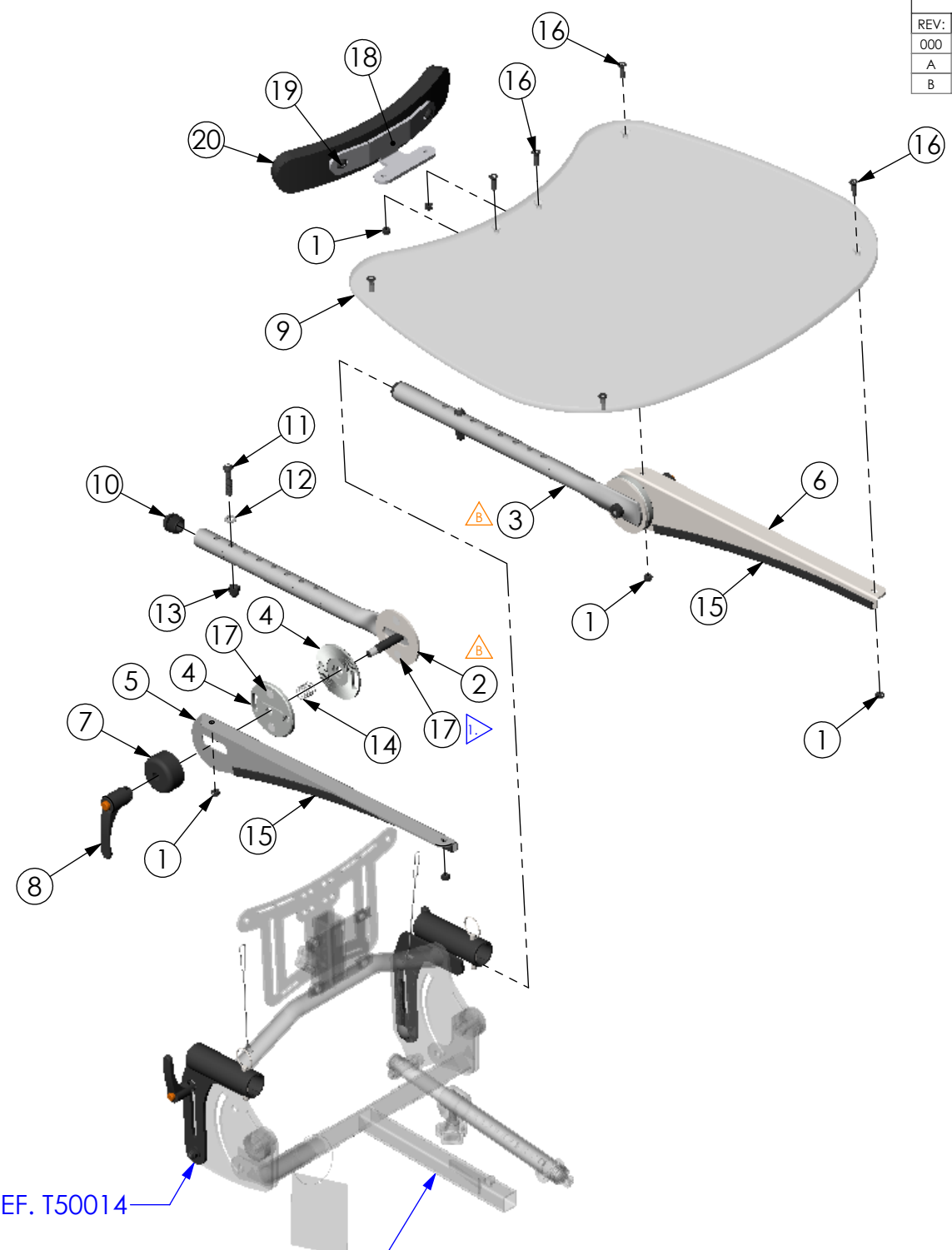


THE INFORMATION CONTAINED IN THIS DRAWING IS THE SOLE PROPERTY OF ALTIMATE MEDICAL. ANY REPRODUCTION IN PART OR WHOLE WITHOUT THE WRITTEN PERMISSION OF ALTIMATE MEDICAL IS PROHIBITED.

REVISIONS				
REV:	DESCRIPTION:	ECO #:	DATE:	APPROVED:
000	NEW RELEASE.	DCR-00460	10/15/08	MWL
A	REDESIGNED TABLE ASSEMBLY.	DCR-00589	8/27/09	MWL
B	REVISED T10258 AND T10259 TO REV A.	DCR-01001	10/31/12	TJF



ITEM NO.	PART NO.	REV	QTY.	NAME
1	600008	000	6	NUT M6 X 1.0 NYLON LOCK
2	T10258	A	1	ARM TABLE BANTAM SHORT
3	T10259	A	1	ARM TABLE BANTAM LONG
4	NG10179	B	4	CLAMP TOOTHED
5	T10264	000	1	BRACKET TABLE MOUNT RH
6	T10265	000	1	BRACKET TABLE LH
7	T20046	000	2	BUSHING TABLE
8	600440	000	2	KNOB LEVER FEMALE M10 X 1.5
9	NG20106	000	1	TABLE CLEAR
10	92703	000	2	BALL CAP
11	600137	-	2	BOLT M8 X 1.25 - 40 BTN SHCS
12	600332	000	2	WASHER M8 ZINC
13	600383	000	2	NUT M8 X 1.25 ACORN
14	600174	000	2	FOOT REST SPRING
15	NG20036	000	2	TRIM BANTAM TABLE
16	600230	000	6	BOLT M6 X 1.0 - 20 FLT SHCS
17	600445	000	8	GLUE DOT
18	T10179	A	1	BRACKET CHEST PAD STANDARD
19	600053	000	2	BOLT M8 X 20 BTN SHCS
20	T30046	000	1	PAD FRONT BANTAM

REF. T50014

REFERENCE:
T50100 XS
T50102 SM

NOTES:

1. USE TWO GLUE DOTS PER TOOTHED WASHER TO FASTEN THEM TO BRACKETS.

IF BOX CONTAINS AN "X", SEE NOTES THAT APPLY TO EACH SUBJECT.		APPROVED: _____ DATE: _____		UNLESS OTHERWISE SPECIFIED DIMENSIONS ARE IN INCHES. TOLERANCES AND SPECS. ARE: DECIMALS ANGLES .X ± .1 .X ± .5° .XX ± .03 .XXX ± .015 HOLE SIZE TOLERANCE: (+.005/-.000) BREAK EDGES .005 - .015 CMFR DRILLED HOLES .03 X 45°	ALTIMATE MEDICAL, INC. PO BOX 180 - 262 WEST FIRST STREET - MORTON, MN 56270 PHONE (507) 697-6393 FAX (507) 697-6900 DESCRIPTION: ASMBLY TABLE CLEAR PEDIATRIC SIZE DWG. NO. T50076 REV. B SCALE = 1:8 CAD FILE NAME: T50076 SHEET 1 OF 1
<input type="checkbox"/> SEE SHIPPING INSTRUCTIONS	<input type="checkbox"/> RECEIVING INSPECTION	DRAWN: MWL	DATE: 7/8/08		
<input type="checkbox"/> SEE ENVIRONMENTAL INSTRUCTIONS		MATERIAL:	FINISH: -		
		OPTION NUMBER: -	CODE: ASMBLY		