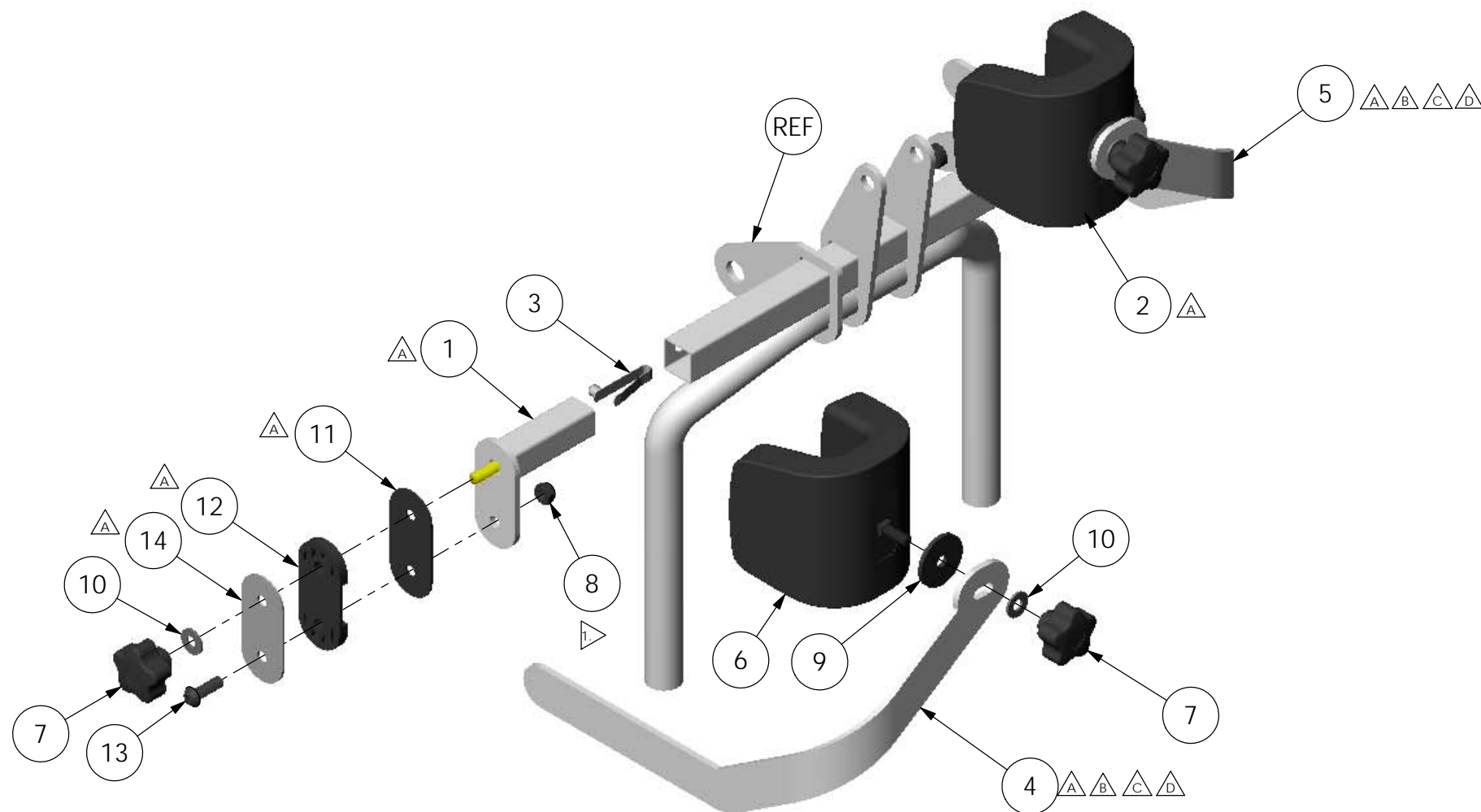


THE INFORMATION CONTAINED IN THIS DRAWING IS THE SOLE PROPERTY OF
 ALTIMATE MEDICAL. ANY REPRODUCTION IN PART OR WHOLE WITHOUT
 THE WRITTEN PERMISSION OF ALTIMATE MEDICAL IS PROHIBITED.

REVISIONS				
REV:	DESCRIPTION:	ECO #:	DATE:	APPROVED:
000	NEW RELEASE.	DCR-00460	10/17/08	MWL
A	REMOVED T10064, T20006, 600126. REVISED T10052 & T10053.	DCR-00589	8/26/09	MWL
A	ADDED T10282, T10283, NG20061, T20048, 600133, NG10357.	DCR-00589	8/26/09	MWL
B	REVISED T10052 AND T10053.	DCR-00606	10/20/09	MWL
C	REVISED T10052 AND T10053.	DCR-00718	10/15/10	TJF
D	REVISED T10052 AND T10053.	DCR-00729	11/9/10	TJF



ITEM NO.	PART NO.	REV	QTY.	NAME
1	T10282	000	1	BRACKET KNEE MOUNT RH
2	T10283	000	1	BRACKET KNEE MOUNT LH
3	92901	A	2	SNAP BUTTON
4	T10052	D	1	BRACKET KNEE STANDARD PED RH
5	T10053	D	1	BRACKET KNEE STANDARD PED LH
6	T30036	000	2	PAD KNEE XS
7	600132	000	4	KNOB FEMALE 5 POINT M8 X 1.25
8	600009	000	2	NUT M8 X 1.25 NYLON LOCK
9	80918	-	2	WASHER RUBBER
10	600160	000	4	WASHER 1/4" USS ZINC
11	NG20061	000	2	WASHER HIP GUIDE NYLON
12	T20048	000	2	BUSHING CLAMP KNEE
13	600133	000	2	BOLT M8 X 1.25 - 25 BTN SHCS
14	NG10357	A	2	CLAMP HIP GUIDES

NOTE:
 1. LEAVE NUT JUST LOOSE ENOUGH TO ALLOW FOR ADJUSTMENT.

IF BOX CONTAINS AN 'X', SEE NOTES THAT APPLY TO EACH SUBJECT. <input type="checkbox"/> SEE SHIPPING INSTRUCTIONS <input type="checkbox"/> RECEIVING INSPECTION <input type="checkbox"/> SEE ENVIRONMENTAL INSTRUCTIONS	APPROVED:	DATE:	UNLESS OTHERWISE SPECIFIED DIMENSIONS ARE IN INCHES. TOLERANCES AND SPECS. ARE: DECIMALS: .X ± .1 ANGLES: .X ± .5° .XX ± .03 .XXX ± .015 HOLE SIZE TOLERANCE: (+.005/-.000) BREAK EDGES .005 - .015 CMFR DRILLED HOLES .03 X 45°	ALTIMATE MEDICAL, INC. PO BOX 180 - 262 WEST FIRST STREET - MORTON, MN 56270 PHONE (507) 697-6393 FAX (507) 697-6900		
	DRAWN: MWL	DATE: 1/25/08		MATERIAL:	DESCRIPTION: ASMBLY KNEE STANDARD XS	
	OPTION NUMBER: -			FINISH: -	SIZE: -	DWG. NO. T50092
				CODE: ASMBLY	SCALE: 1:4	CAD FILE NAME: T50092
			SHEET 1 OF 1			