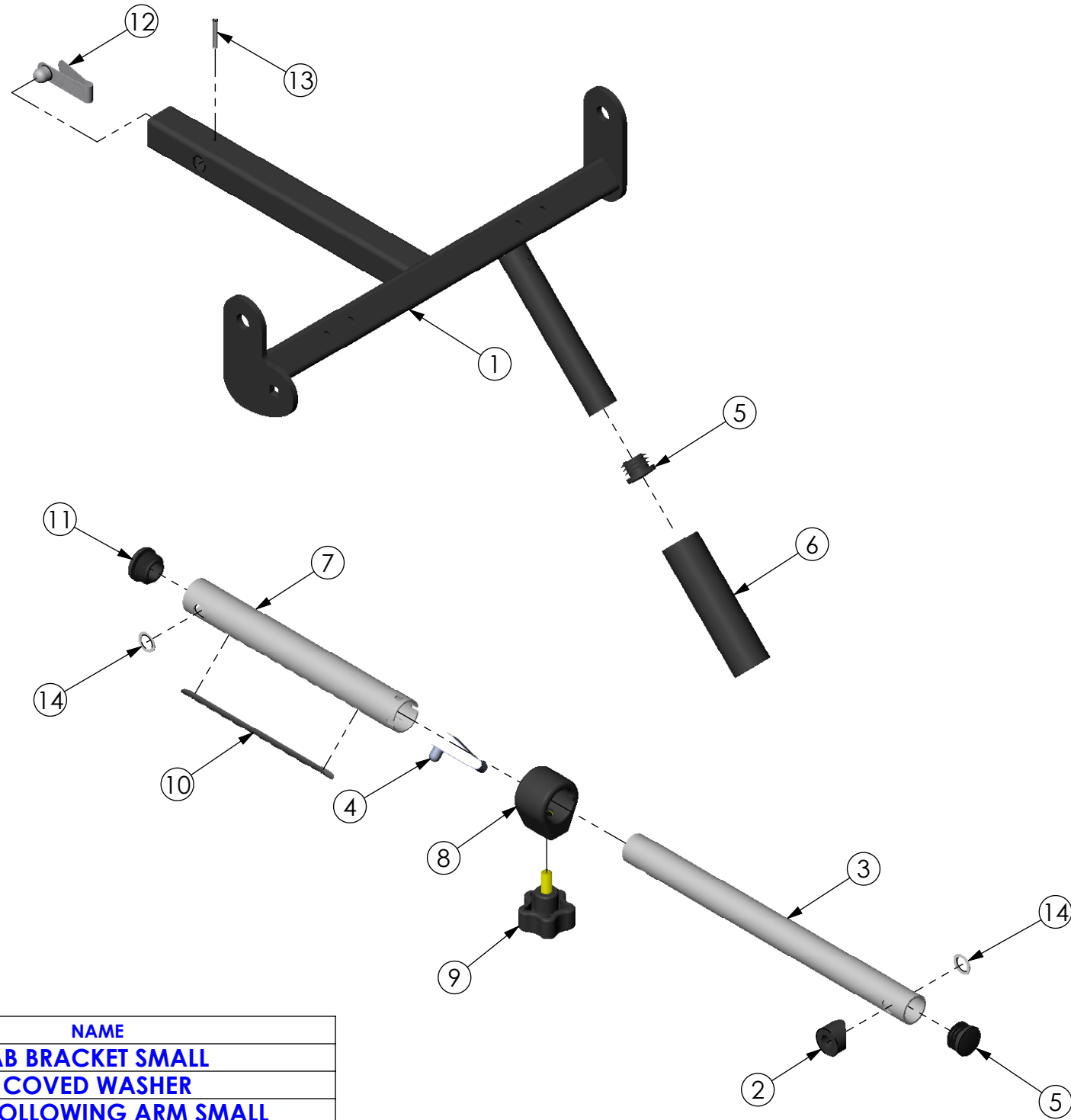


THE INFORMATION CONTAINED IN THIS DRAWING IS THE SOLE PROPERTY OF ALTIMATE MEDICAL. ANY REPRODUCTION IN PART OR WHOLE WITHOUT THE WRITTEN PERMISSION OF ALTIMATE MEDICAL IS PROHIBITED.

REVISIONS				
REV:	DESCRIPTION:	ECO #:	DATE:	APPROVED:
000	NEW RELEASE.	DCR-00460	10/20/08	MWL



ITEM NO.	PART NO.	REV	QTY.	NAME
1	T10023	000	1	AB BRACKET SMALL
2	53010	A	1	COVERED WASHER
3	T10042	000	1	TUBE FOLLOWING ARM SMALL
4	92901	A	1	SNAP BUTTON
5	10764	-	2	CAP
6	90601	-	1	HAND GRIP
7	T10041	000	1	TUBE FOLLOWING ARM PEDIATRIC
8	T20000	000	1	LUG CLAMP 8mm
9	600131	000	1	KNOB MALE 5 POINT M8 X 1.25 - 16
10	T40002	000	1	LABEL FOLLOWING ARM PEDIATRIC
11	10073	-	1	CAP
12	80825	000	1	SNAP BUTTON
13	600370	000	1	PIN ROLL 3mm DIA X 24mm LONG
14	600382	000	2	WASHER 7/16 DIA C 5/8 X .03

NOTE:
 1. INSERT SNAP BUTTON 80825 PRIOR TO DRIVING IN PIN 600370.
 2. PRE-ASSEMBLE COMPONENTS PRIOR TO SHIPPING TO CUSTOMER.

IF BOX CONTAINS AN "X", SEE NOTES THAT APPLY TO EACH SUBJECT.		APPROVED: _____ DATE: _____		UNLESS OTHERWISE SPECIFIED DIMENSIONS ARE IN INCHES. TOLERANCES AND SPECS. ARE:		ALTIMATE MEDICAL, INC.	
<input type="checkbox"/> SEE SHIPPING INSTRUCTIONS	<input type="checkbox"/> RECEIVING INSPECTION	<input type="checkbox"/> SEE ENVIRONMENTAL INSTRUCTIONS	DRAWN: MWL	DATE: 8/12/08	MATERIAL:	DECIMALS .X ± .1	ANGLES .X ± .5°
		EXPIRATION DATE:		FINISH: -	CODE: ASMBLY	PO BOX 180 - 262 WEST FIRST STREET - MORTON, MN 56270 PHONE (507) 697-6393 FAX (507) 697-6900	
				HOLE SIZE TOLERANCE: (+.005/-.000)		DESCRIPTION: ASMBLY GROWTH KIT BANTAM	
				BREAK EDGES .005 - .015		SIZE DWG. NO. T50096	
				CMFR DRILLED HOLES .03 X 45°		REV. 000	
				SCALE = 1:4 CAD FILE NAME: T50096		SHEET 1 OF 1	