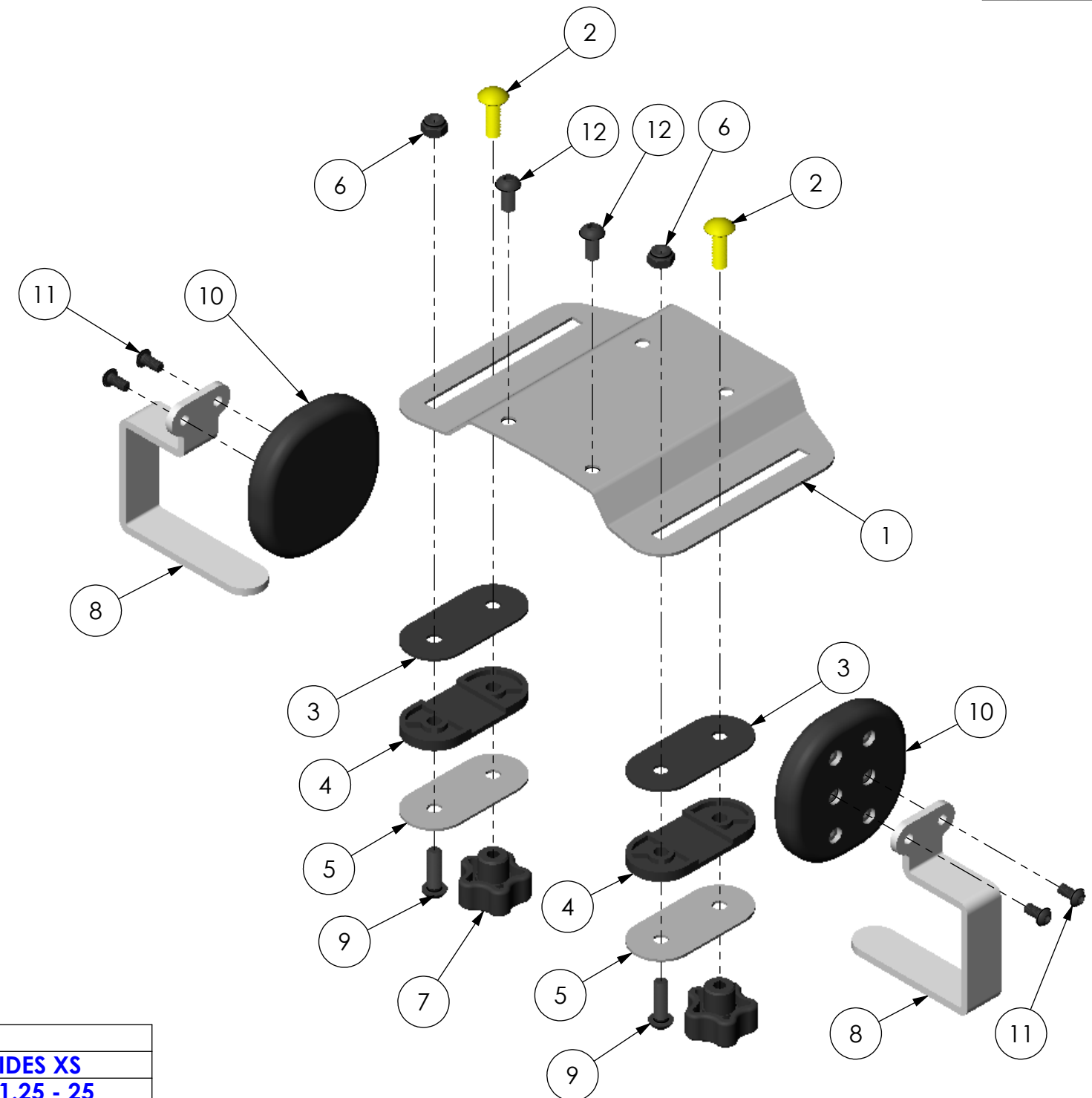


THE INFORMATION CONTAINED IN THIS DRAWING IS THE SOLE PROPERTY OF ALTIMATE MEDICAL. ANY REPRODUCTION IN PART OR WHOLE WITHOUT THE WRITTEN PERMISSION OF ALTIMATE MEDICAL IS PROHIBITED.

REVISIONS				
REV:	DESCRIPTION:	ECO #:	DATE:	APPROVED:
000	NEW RELEASE.	DCR-00460	10/20/08	MWL



ITEM NO.	PART NO.	REV	QTY.	NAME
1	T10194	000	1	PLATE MOUNT HIP GUIDES XS
2	600183	000	2	BOLT CARRIAGE M8 X 1.25 - 25
3	NG20061	000	2	WASHER HIP GUIDE NYLON
4	NG20062	A	2	BUSHING CLAMP HIP GUIDE
5	NG10357	A	2	CLAMP HIP GUIDES
6	600009	000	2	NUT M8 X 1.25 NYLON LOCK
7	600132	000	2	KNOB FEMALE 5 POINT M8 X 1.25
8	T10195	000	2	BRACKET HIP GUIDE XS
9	600133	000	2	BOLT M8 X 1.25 - 25 BTN SHCS
10	T30000	000	2	PAD SUPPORT FLAT SMALL
11	600340	000	4	BOLT BTN SHCS M6 X 1.0 - 12
12	600412	000	2	BOLT M8 X 1.25 - 16 BTN SHCS

NOTE:
1. USE M8 X 1.25 - 16 BTN SHCS TO HOLD UPHOLSTRY ON.

IF BOX CONTAINS AN "X", SEE NOTES THAT APPLY TO EACH SUBJECT. <input type="checkbox"/> SEE SHIPPING INSTRUCTIONS <input type="checkbox"/> RECEIVING INSPECTION <input type="checkbox"/> SEE ENVIRONMENTAL INSTRUCTIONS	APPROVED:	DATE:	UNLESS OTHERWISE SPECIFIED DIMENSIONS ARE IN INCHES. TOLERANCES AND SPECS. ARE: DECIMALS ANGLES .X ± .1 .X ± .5° .XX ± .03 .XXX ± .015 HOLE SIZE TOLERANCE: (+.005/-.000) BREAK EDGES .005 - .015 CMFR DRILLED HOLES .03 X 45°	ALTIMATE MEDICAL, INC. PO BOX 180 - 262 WEST FIRST STREET - MORTON, MN 56270 PHONE (507) 697-6393 FAX (507) 697-6900 DESCRIPTION: ASMBLY HIP GUIDES XS SIZE DWG. NO. T50098 REV. 000 SCALE = 1:3 CAD FILE NAME: T50098 SHEET 1 OF 1
	DRAWN: MWL DATE: 9/10/08 MATERIAL: FINISH: - CODE: ASMBLY	EXPIRATION DATE: -		