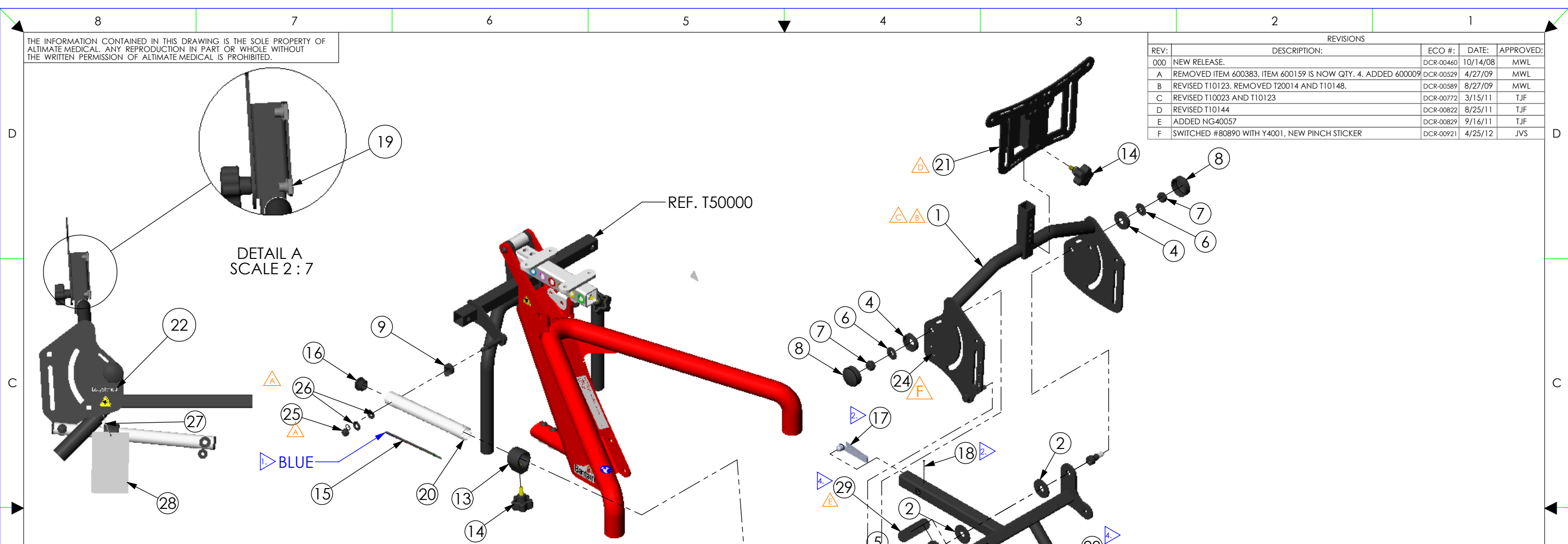


THE INFORMATION CONTAINED IN THIS DRAWING IS THE SOLE PROPERTY OF ALTIMATE MEDICAL. ANY REPRODUCTION IN PART OR WHOLE WITHOUT THE WRITTEN PERMISSION OF ALTIMATE MEDICAL IS PROHIBITED.

REVISIONS				
REV:	DESCRIPTION:	ECO #:	DATE:	APPROVED:
000	NEW RELEASE.	DCR-00460	10/14/08	MWL
A	REMOVED ITEM 600383. ITEM 600159 IS NOW QTY. 4. ADDED 600009	DCR-00529	4/27/09	MWL
B	REVISED T10123. REMOVED T20014 AND T10148.	DCR-00589	8/27/09	MWL
C	REVISED T10023 AND T10123	DCR-00772	3/15/11	TJF
D	REVISED T10144	DCR-00822	8/25/11	TJF
E	ADDED NG40057	DCR-00829	9/16/11	TJF
F	SWITCHED #80890 WITH Y4001, NEW PINCH STICKER	DCR-00921	4/25/12	JVS



ITEM NO.	PART NO.	REV	QTY.	NAME
1	T10123	B	1	BRACKET BACK REST PEDIATRIC
2	80945	000	2	WASHER
3	T10023	A	1	AB BRACKET SMALL
4	NG20039	A	2	BUSHING SHOULDER
5	600354	000	2	BOLT M12 X 12 SHOULDER
6	NG20035	B	2	WASHER SHOULDER NYLON
7	600010	000	2	NUT M10 X 1.5 NYLON LOCK
8	NG20027	000	2	COVER BUSHING
9	53010	A	2	COVERED WASHER
10	T10042	000	1	TUBE FOLLOWING ARM SMALL
11	92901	A	1	SNAP BUTTON
12	10764	000	2	CAP
13	T20000	000	1	LUG CLAMP 8mm
14	600131	000	2	KNOB MALE 5 POINT M8 X 1.25 - 16
15	T40002	000	1	LABEL FOLLOWING ARM PEDIATRIC
16	10073	000	1	CAP
17	80825	000	1	SNAP BUTTON
18	600370	000	1	PIN ROLL 3mm DIA X 24mm LONG
19	600386	000	4	U NUT M8 X 1.25
20	T10041	000	1	TUBE FOLLOWING ARM PEDIATRIC
21	T10144	A	1	BRACKET BACK REST CARRIER
22	T40004	000	1	DECAL EASYSTAND
23	90601	000	1	HAND GRIP
24	Y4001	000	2	LABEL HAND CRUSH
25	600009	000	2	NUT M8 X 1.25 NYLON LOCK
26	600159	000	4	WASHER M8 NYLON
27	10787	000	1	SNAP TIE 9" LG
28	T40006	000	1	BANTAM INSTRUCTIONAL TAG
29	NG40057	000	4	HIP PIVOT BRACKET HOLE COVER

NOTE:  
 1. ORIENT DECAL AS NOTED.  
 2. INSERT SNAP BUTTON 80825 PRIOR TO DRIVING IN PIN 600370.  
 3. LEAVE NUT JUST LOOSE ENOUGH TO ALLOW FOR RANGE OF MOTION.  
 4. USE COVER STICKERS ON BOTH SIDES OF TUBE ON ALL FOUR HOLES.

IF BOX CONTAINS AN "X", SEE NOTES THAT APPLY TO EACH SUBJECT.		APPROVED:	DATE:	UNLESS OTHERWISE SPECIFIED DIMENSIONS ARE IN INCHES. TOLERANCES AND SPECS. ARE: DECIMALS .X ± .1 .XX ± .03 .XXX ± .015 HOLE SIZE TOLERANCE: (+.005/-.000) BREAK EDGES .005 - .015 CMFR DRILLED HOLES .03 X 45°	<b>ALTIMATE MEDICAL, INC.</b> PO BOX 180 - 262 WEST FIRST STREET - MORTON, MN 56270 PHONE (507) 697-6393 FAX (507) 697-6900 DESCRIPTION: ASMBLY BACK REST SMALL SIZE DWG. NO. <b>T50102</b> REV. <b>F</b> SCALE = 1:7 CAD FILE NAME: T50102 SHEET 1 OF 1
<input type="checkbox"/> SEE SHIPPING INSTRUCTIONS	<input type="checkbox"/> RECEIVING INSPECTION	DRAWN: MWL	DATE: 1/25/08		
<input type="checkbox"/> SEE ENVIRONMENTAL INSTRUCTIONS		MATERIAL:	FINISH: -		
		OPTION NUMBER: -	CODE: ASMBLY		