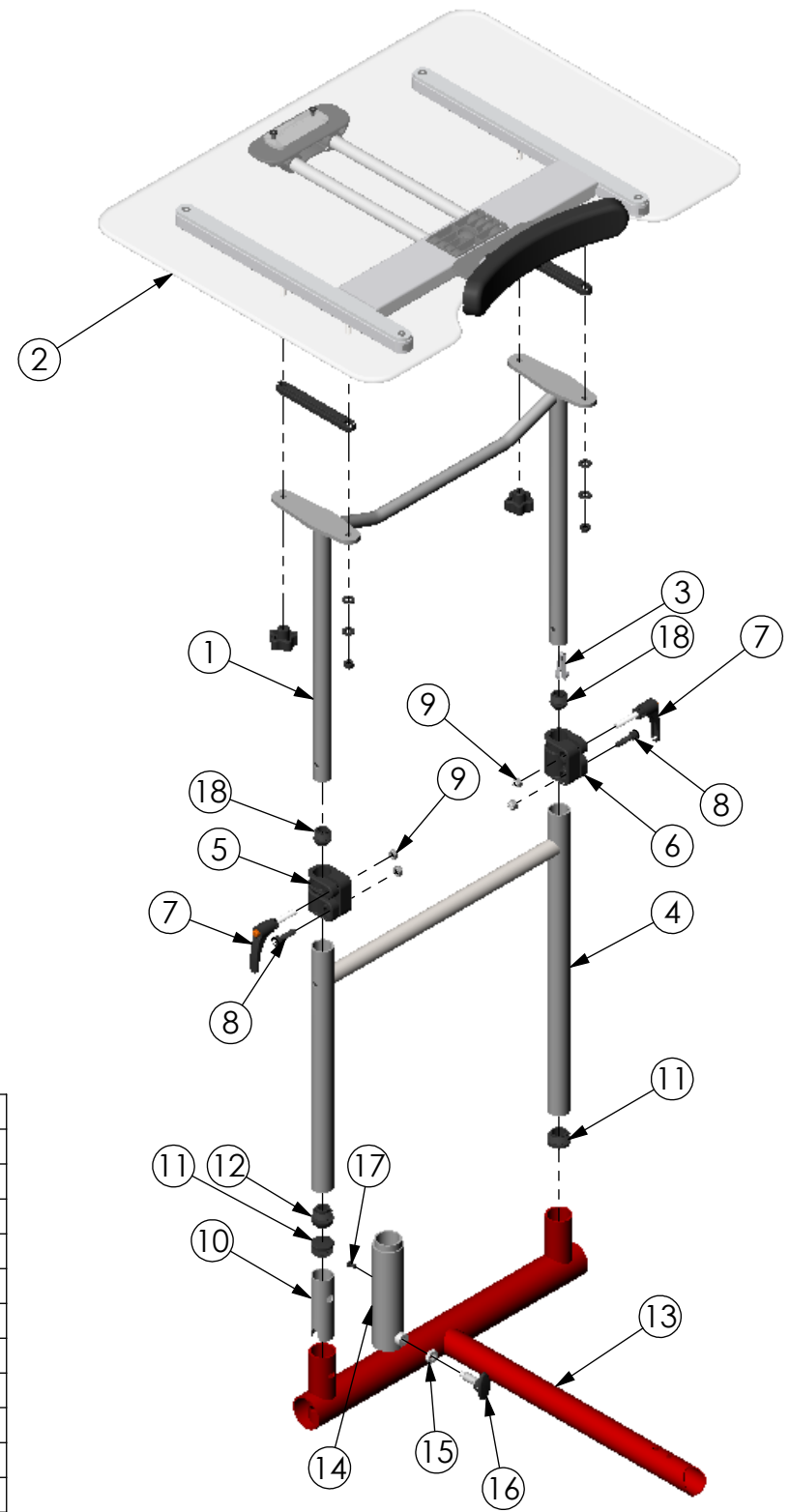


THE INFORMATION CONTAINED IN THIS DRAWING IS THE SOLE PROPERTY OF
 ALTIMATE MEDICAL. ANY REPRODUCTION IN PART OR WHOLE WITHOUT
 THE WRITTEN PERMISSION OF ALTIMATE MEDICAL IS PROHIBITED.

REVISIONS				
REV:	DESCRIPTION:	ECO #:	DATE:	APPROVED:
000	NEW RELEASE	DCR-00748	12/16/10	TJF



ITEM NO.	PART NO.	REV	QTY.	NAME
1	T10300	000	1	TABLE SUPPORT
2	T50176	000	1	TRAY ASMBLY O-SIZE XTEND MOTION
3	92901	A	1	SNAP BUTTON
4	T10291	000	1	H-FRAME BANTAM
5	NG20120	000	1	CLAMP VERTICAL EVOLV LH
6	NG20121	000	1	CLAMP VERTICAL EVOLV RH
7	600156	000	2	CLAMP LEVER 8mm X 40mm
8	600139	000	2	BOLT SHCS M8 X 1.25-30
9	600009	000	4	NUT LOCK M8 X 1.25
10	T10350	000	1	TUBE SWING AWAY SUPPORT
11	NG20105	000	2	CAP
12	600082	000	1	BALL CAP 1.25D 14-23 GA
13	T10288	000	1	FRAME FRONT H-FRAME PED
14	T10351	000	1	TUBE ASSEMBLY SWING AWAY
15	600059	000	1	NUT JAM M12 X 1.75
16	600422	000	1	PLUNGER INDEXED 8mm
17	600037	000	1	BOLT BTNHD M6 X 1.0-10
18	92703	000	2	BALL CAP

NOTE: CASTER OPTIONS
 T50168 - STANDARD CASTER
 T50170 - SWIVEL CASTER

IF BOX CONTAINS AN "X", SEE NOTES THAT APPLY TO EACH SUBJECT. <input type="checkbox"/> SEE SHIPPING INSTRUCTIONS <input type="checkbox"/> RECEIVING INSPECTION <input type="checkbox"/> SEE ENVIRONMENTAL INSTRUCTIONS	APPROVED:	DATE:	UNLESS OTHERWISE SPECIFIED DIMENSIONS ARE IN INCHES. TOLERANCES AND SPECS. ARE: DECIMALS: .X ± .1 .XX ± .03 .XXX ± .015 HOLE SIZE TOLERANCE: (+.005/-.000) BREAK EDGES .005 - .015 CMFR DRILLED HOLES .03 X 45°	ALTIMATE MEDICAL, INC. PO BOX 180 - 262 WEST FIRST STREET - MORTON, MN 56270 PHONE (507) 697-6393 FAX (507) 697-6900 DESCRIPTION: H-FRAME BANTAM OVERSIZED TRAY SIZE DWG. NO. T50146 REV. 000 SCALE = 1:10 CAD FILE NAME: T50146 SHEET 1 OF 1	
	DRAWN: MWL	DATE: 5/27/10			MATERIAL:
	EXPIRATION DATE:				CODE: ASMBLY