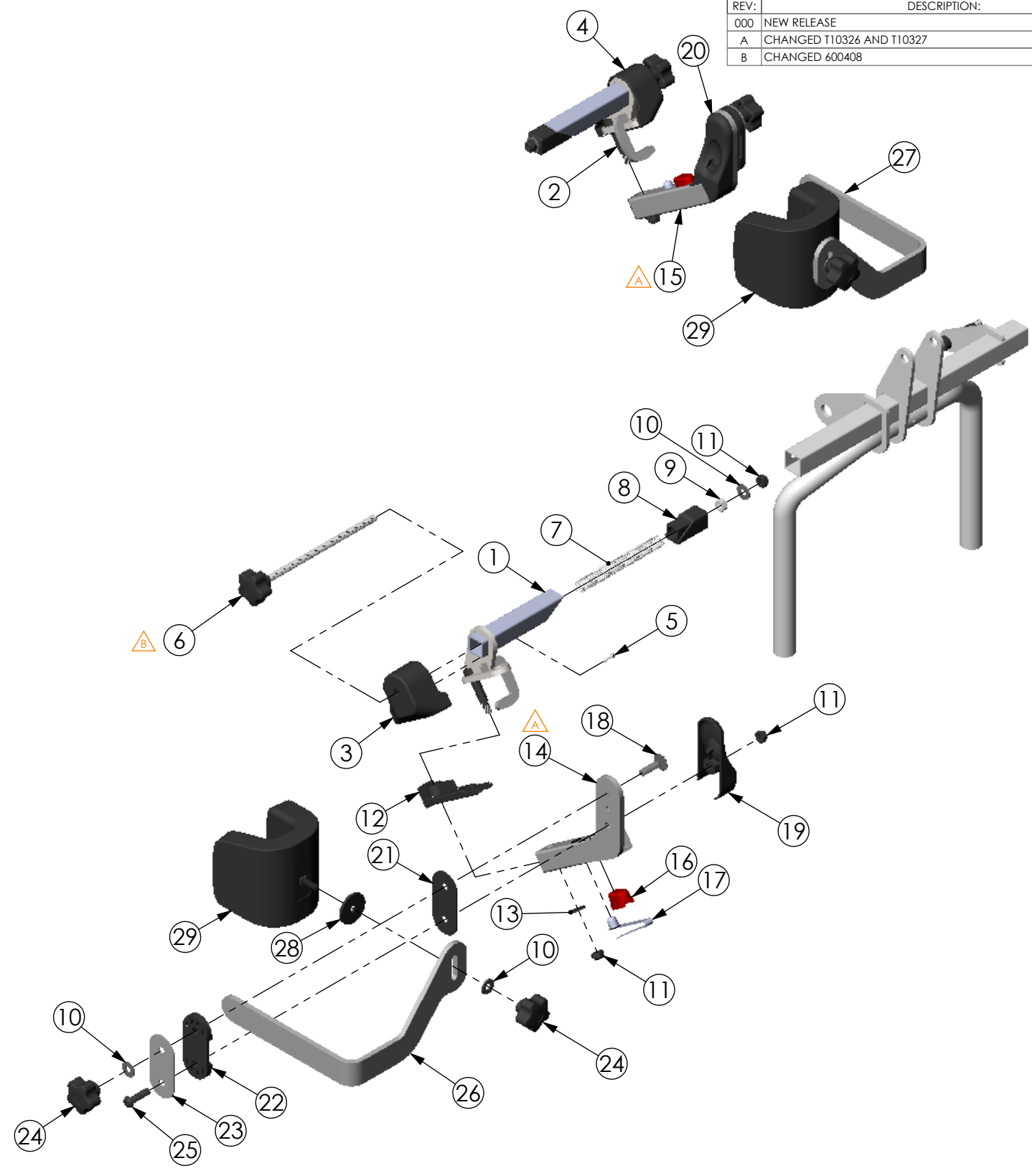


THE INFORMATION CONTAINED IN THIS DRAWING IS THE SOLE PROPERTY OF
 ALTIMATE MEDICAL. ANY REPRODUCTION IN PART OR WHOLE WITHOUT
 THE WRITTEN PERMISSION OF ALTIMATE MEDICAL IS PROHIBITED.

REVISIONS				
REV:	DESCRIPTION:	ECO #:	DATE:	APPROVED:
000	NEW RELEASE	DCR-00758	2/2/11	JVS
A	CHANGED T10326 AND T10327	DCR-00854	10/31/11	TJF
B	CHANGED 600408	DCR-00906	3/14/12	TJF

ITEM NO.	PART NO.	REV	Default /QTY.	NAME
1	T10342	000	1	BRACKET KNEE SWING AWAY RH
2	T10343	000	1	BRACKET KNEE SWING AWAY LH
3	T20056	000	1	RAMPED END CAP RH
4	T20057	000	1	RAMPED END CAP LH
5	600474	000	2	SCREW WOOD #6 X 5/8
6	600408	A	2	SHAFT THREADED M8 X 1.25 W/ KNOB
7	600341	000	2	SPRING 9/16 DIA X 5.0 X .054
8	T20020	A	2	LUG PLUNGER LOCK 7/8"
9	600409	000	2	NUT HEX STANDARD M8 X 1.25
10	600160	000	6	WASHER 1/4" USS ZINC
11	600009	000	6	NUT M8 X 1.25 NYLON LOCK
12	T20055	000	2	END CAP SWING AWAY KNEE
13	600159	000	2	WASHER NYLON M8
14	T10326	A	1	BRACKET KNEE SWING RH
15	T10327	A	1	BRACKET KNEE SWING LH
16	T20053	000	2	BUTTON
17	80825	000	2	SNAP BUTTON
18	600091	000	2	BOLT M8 X 1.25 - 30 CARRIAGE
19	T20058	000	1	COVER END SWING AWAY KNEE RH
20	T20059	000	1	COVER END SWING AWAY KNEE LH
21	NG20061	000	2	WASHER HIP GUIDE NYLON
22	T20048	000	2	BUSHING CLAMP KNEE
23	NG10357	A	2	CLAMP HIP GUIDES
24	600132	000	4	KNOB FEMALE 5 POINT M8 X 1.25
25	600138	000	2	BTN SHCS M8 X 1.25-30
26	T10346	000	1	BRACKET KNEE SWING AWAY XS RH
27	T10347	000	1	BRACKET KNEE SWING AWAY XS LH
28	80918	000	2	WASHER RUBBER
29	T30036	000	2	PAD KNEE XS



IF BOX CONTAINS AN "X", SEE NOTES THAT APPLY TO EACH SUBJECT. <input type="checkbox"/> SEE SHIPPING INSTRUCTIONS <input type="checkbox"/> RECEIVING INSPECTION <input type="checkbox"/> SEE ENVIRONMENTAL INSTRUCTIONS	APPROVED:	DATE:	UNLESS OTHERWISE SPECIFIED DIMENSIONS ARE IN INCHES. TOLERANCES AND SPECS. ARE: DECIMALS ANGLES .X ± .1 .X ± .5° .XX ± .03 .XXX ± .015 HOLE SIZE TOLERANCE: (+.005/-.000) BREAK EDGES .005 - .015 CMFR DRILLED HOLES .03 X 45°	ALTIMATE MEDICAL, INC. PO BOX 180 - 262 WEST FIRST STREET - MORTON, MN 56270 PHONE (507) 697-6393 FAX (507) 697-6900 DESCRIPTION: SWING-AWAY KNEES BANTAM XS SIZE DWG. NO. T50164 REV. B SCALE = 1:6 CAD FILE NAME: T50164 SHEET 1 OF 1	
	DRAWN: MWL	DATE: 12/8/10			MATERIAL:
	EXPIRATION DATE:				FINISH:
					CODE: ASMBLY