

THE INFORMATION CONTAINED IN THIS DRAWING IS THE SOLE PROPERTY OF ALTIMATE MEDICAL. ANY REPRODUCTION IN PART OR WHOLE WITHOUT THE WRITTEN PERMISSION OF ALTIMATE MEDICAL IS PROHIBITED.

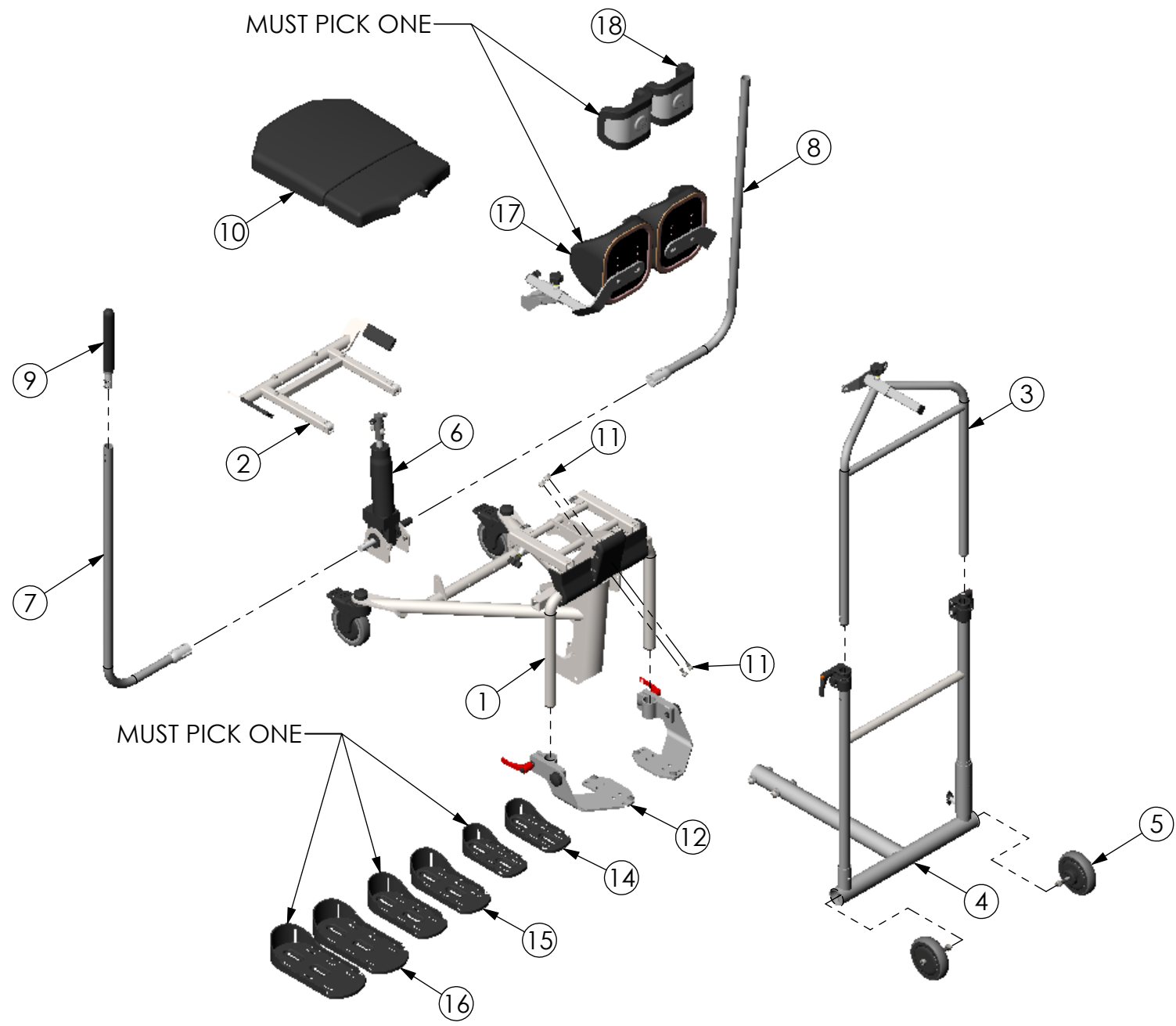
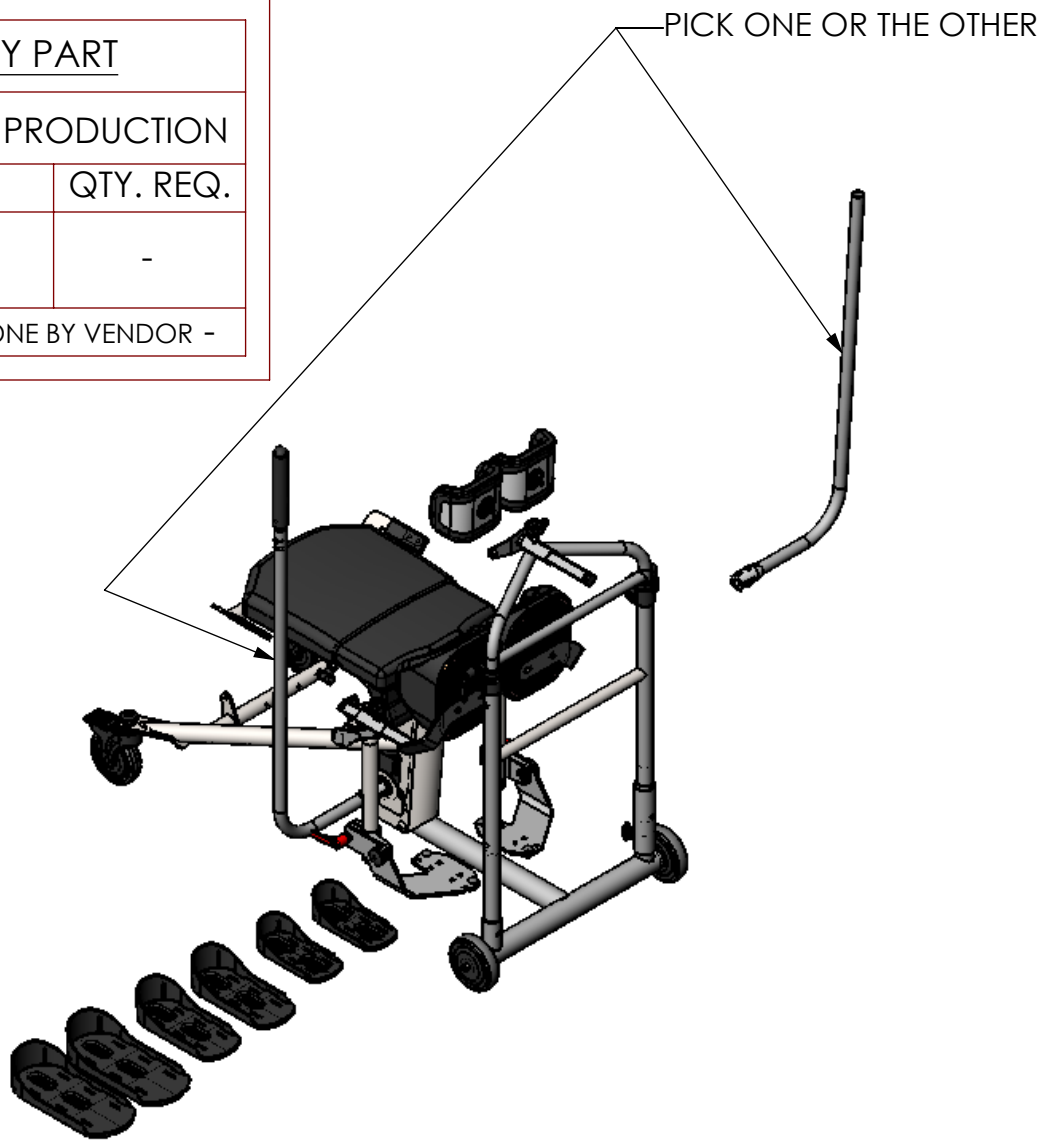
REVISIONS				
REV:	DESCRIPTION:	ECO #:	DATE:	APPROVED:
03	ADDED Y5624	-	11/14/12	MWL

**PRELIMINARY PART**

NOT RELEASED FOR PRODUCTION

DESIGNER	DATE	QTY. REQ.
-	-	-

DONE IN-HOUSE -      DONE BY VENDOR -



ITEM NO.	PART NO.	REV	QTY.	NAME
1	Y5502	04	1	ASSEMBLY FRAME BANTAM MED
2	Y5504	02	1	ASMBLY NO BACK BANTAM MED
3	Y5526	03	1	ASMBLY NO TABLE H-FRAME
4	Y5506	01	1	MED. BANTAM SWING AWAY FRONT
5	Y5508	01	1	ASMBLY WHEELS BANTAM MED
6	Y5516	01	1	ASMBLY HYDRAULIC LIFT BANTAM MED
7	Y5518	02	1	PUMP HANDLE BANTAM MED STD RH
8	Y5520	02	1	PUMP HANDLE BANTAM MED STD LH
9	NG50260	000	1	HANDLE STANDARD TOP
10	Y5522	03	1	UPHOLSTERY PLANAR SEAT BANTAM MED
11	Y5524	01	1	ASMBLY NON-SUPINE BANTAM MED
12	Y5584	02	1	ASMBLY FOOT PLATE STANDARD
13	Y5594	01	1	ASSEMBLY KNEES BANTAM MED STD
14	Y5588	01	1	ASMBLY FOOT PLATES 8"
15	Y5590	01	1	ASMBLY FOOT PLATES 9.75"
16	Y5592	01	1	ASMBLY FOOT PLATES 11.75"
17	Y5598	01	1	ASSEMBLY KNEE PADS STANDARD
18	Y5624	01	1	ASSEMBLY KNEE PADS SMALL

IF BOX CONTAINS AN "X", SEE NOTES THAT APPLY TO EACH SUBJECT. <input type="checkbox"/> SEE SHIPPING INSTRUCTIONS <input type="checkbox"/> RECEIVING INSPECTION <input type="checkbox"/> SEE ENVIRONMENTAL INSTRUCTIONS	APPROVED:	DATE:	<b>UNLESS OTHERWISE SPECIFIED DIMENSIONS ARE IN INCHES. TOLERANCES AND SPECS. ARE:</b> DECIMALS      ANGLES .X ± .1          .X ± .5° .XX ± .03 .XXX ± .015 HOLE SIZE TOLERANCE: (+.005/-.000) BREAK EDGES .005 - .015 CMFR DRILLED HOLES .03 X 45°	<b>ALTIMATE MEDICAL, INC.</b> PO BOX 180 - 262 WEST FIRST STREET - MORTON, MN 56270 PHONE (507) 697-6393      FAX (507) 697-6900 DESCRIPTION: <b>BANTAM MEDIUM BASE UNIT</b> SIZE DWG. NO.      REV. -                      Y5500                      03 SCALE = 1:14      CAD FILE NAME: Y5500      SHEET 1 OF 1	
	DRAWN: MWL	DATE: 10/26/11			MATERIAL:
	EXPIRATION DATE:	-			FINISH: -