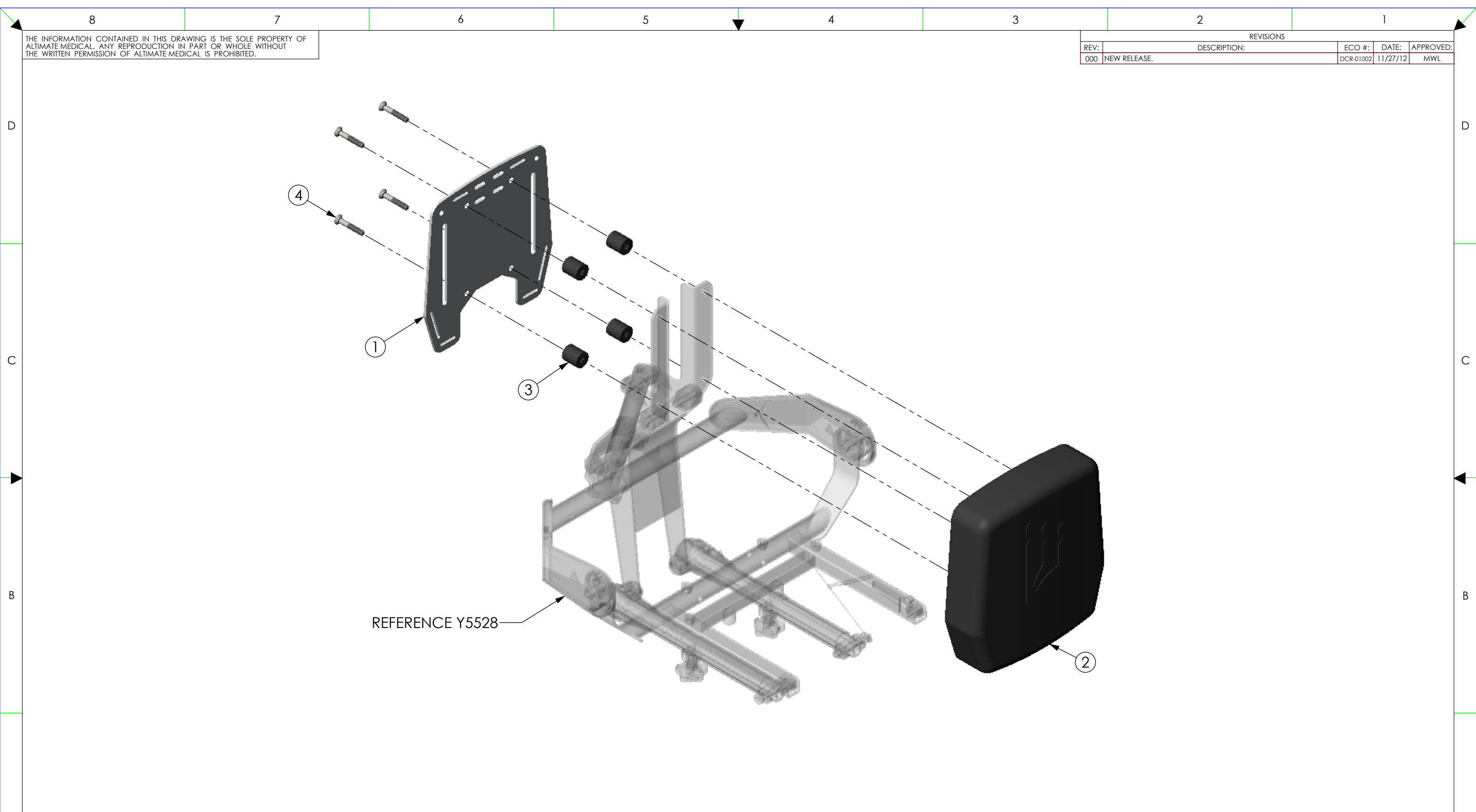


THE INFORMATION CONTAINED IN THIS DRAWING IS THE SOLE PROPERTY OF
 ALTIMATE MEDICAL. ANY REPRODUCTION IN PART OR WHOLE WITHOUT
 THE WRITTEN PERMISSION OF ALTIMATE MEDICAL IS PROHIBITED.

REVISIONS				
REV:	DESCRIPTION:	ECO #:	DATE:	APPROVED:
000	NEW RELEASE.	DCR-01002	11/27/12	MWL



REFERENCE Y5528

ITEM NO.	PART NO.	REV	QTY.	NAME
1	Y1074	000	1	ACCESSORY PLATE 15"
2	Y3018	000	1	BACK REST STANDARD 15"
3	Y2049	000	4	SPACER BACK REST
4	600095		4	BOLT FLT SHCS M8 X 1.25 - 50

IF BOX CONTAINS AN "X", SEE NOTES THAT APPLY TO EACH SUBJECT.		APPROVED:		DATE:		UNLESS OTHERWISE SPECIFIED DIMENSIONS ARE IN INCHES. TOLERANCES AND SPECS. ARE:		ALTIMATE MEDICAL, INC.	
<input type="checkbox"/> SEE SHIPPING INSTRUCTIONS	<input type="checkbox"/> RECEIVING INSPECTION	<input type="checkbox"/> SEE ENVIRONMENTAL INSTRUCTIONS	DRAWN: MWL	DATE: 11/4/11	MATERIAL:	FINISH:	CODE: ASMBLY	DECIMALS: .X ± .1 .XX ± .03 .XXX ± .015	ANGLES: .X ± .5°
EXP. DATE: -		HOLE SIZE TOLERANCE: (+.005/- .000)		BREAK EDGES .005 - .015		CMFR DRILLED HOLES .03 X 45°		PO BOX 180 - 262 WEST FIRST STREET - MORTON, MN 56270 PHONE (507) 697-6393 FAX (507) 697-6900	
DESCRIPTION: BACK REST PLANAR 15"		SIZE DWG. NO. Y5530		REV. 000		SCALE = 1:5		CAD FILE NAME: Y5530 SHEET 1 OF 1	