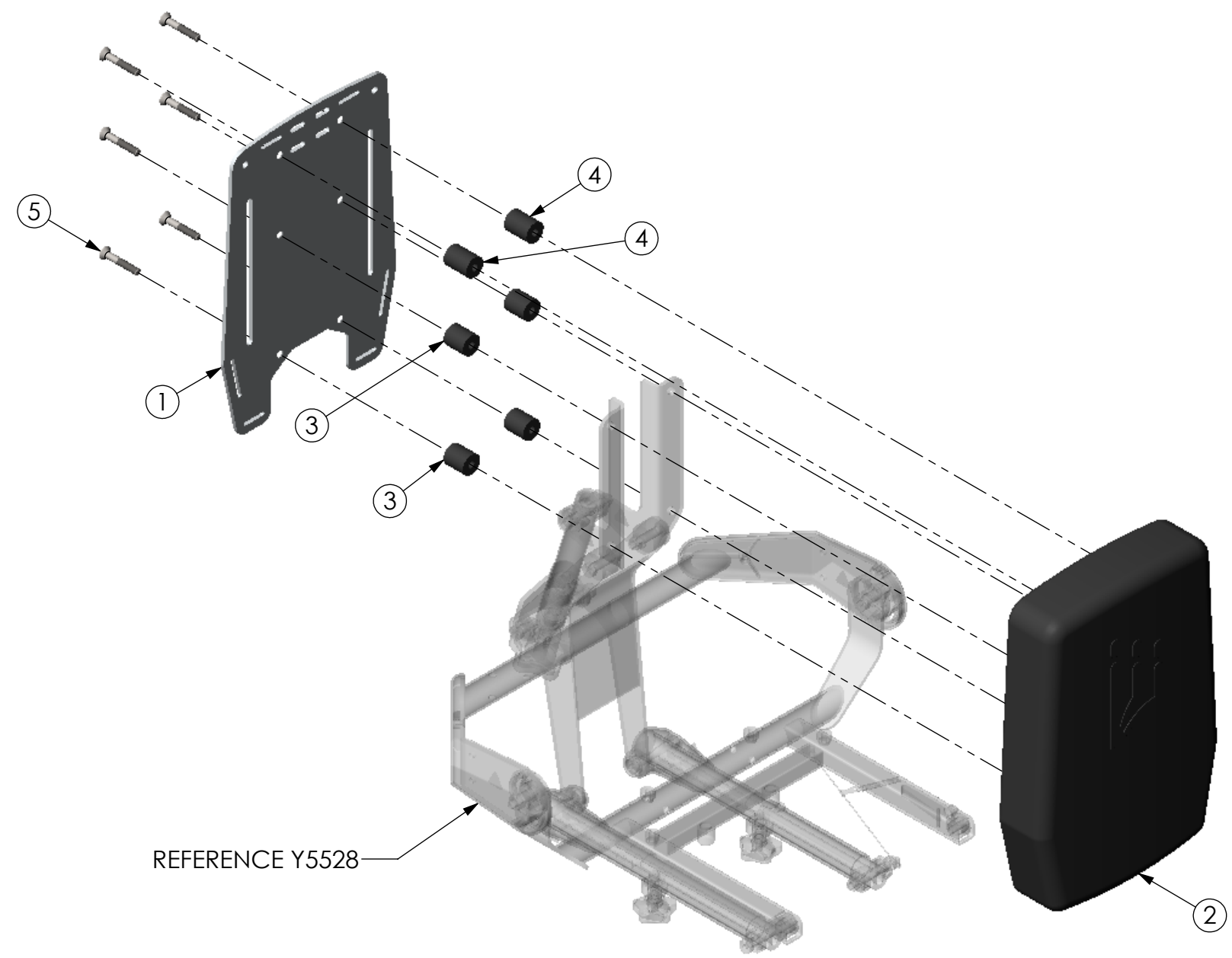


THE INFORMATION CONTAINED IN THIS DRAWING IS THE SOLE PROPERTY OF ALTIMATE MEDICAL. ANY REPRODUCTION IN PART OR WHOLE WITHOUT THE WRITTEN PERMISSION OF ALTIMATE MEDICAL IS PROHIBITED.

REVISIONS				
REV:	DESCRIPTION:	ECO #:	DATE:	APPROVED:
000	NEW RELEASE.	DCR-01002	11/27/12	MWL



REFERENCE Y5528

ITEM NO.	PART NO.	REV	QTY.	NAME
1	Y1075	000	1	ACCESSORY PLATE 19"
2	Y3019	000	1	BACK REST STANDARD 19"
3	Y2049	000	4	SPACER BACK REST
4	Y2050	000	2	BUSHING BACK REST SPACER TALL
5	600095		6	BOLT FLT SHCS M8 X 1.25 - 50

IF BOX CONTAINS AN "X", SEE NOTES THAT APPLY TO EACH SUBJECT. <input type="checkbox"/> SEE SHIPPING INSTRUCTIONS <input type="checkbox"/> RECEIVING INSPECTION <input type="checkbox"/> SEE ENVIRONMENTAL INSTRUCTIONS	APPROVED:	DATE:	<b>UNLESS OTHERWISE SPECIFIED DIMENSIONS ARE IN INCHES. TOLERANCES AND SPECS. ARE:</b> DECIMALS: .X ± .1 .XX ± .03 .XXX ± .015 HOLE SIZE TOLERANCE: (+.005/- .000) BREAK EDGES .005 - .015 CMFR DRILLED HOLES .03 X 45°	<b>ALTIMATE MEDICAL, INC.</b> PO BOX 180 - 262 WEST FIRST STREET - MORTON, MN 56270 PHONE (507) 697-6393 FAX (507) 697-6900 DESCRIPTION: <b>BACK REST PLANAR 19"</b> SIZE DWG. NO. <b>Y5532</b> REV. <b>000</b> SCALE = 1:6 CAD FILE NAME: Y5532 SHEET 1 OF 1
	DRAWN: MWL DATE: 11/4/11 EXPIRATION DATE: -	MATERIAL: FINISH: - CODE: ASMBLY		