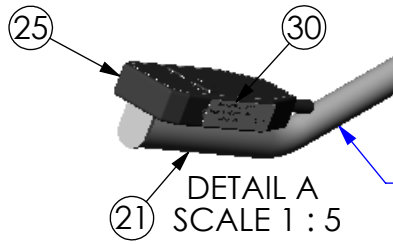
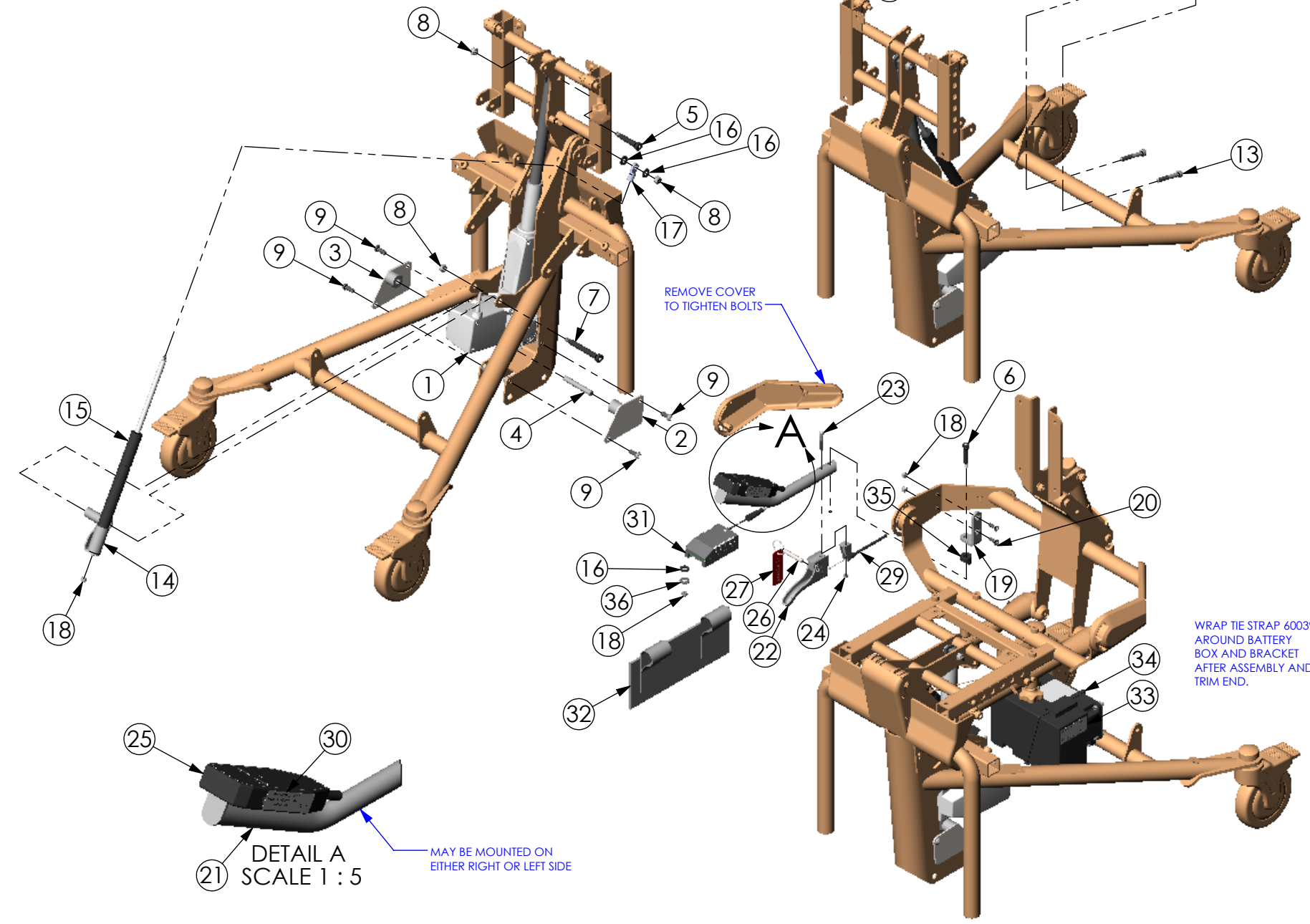
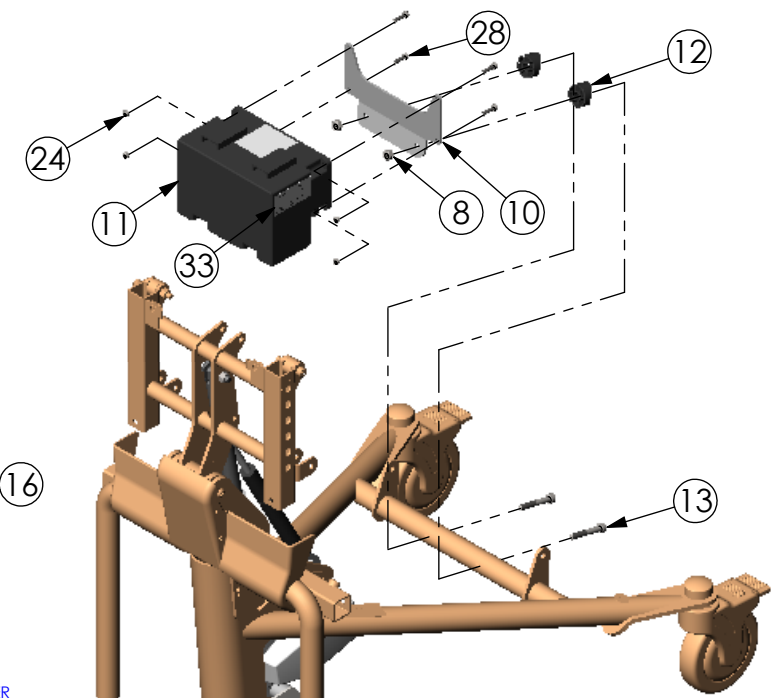
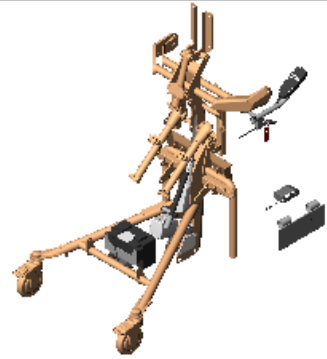


THE INFORMATION CONTAINED IN THIS DRAWING IS THE SOLE PROPERTY OF ALTIMATE MEDICAL. ANY REPRODUCTION IN PART OR WHOLE WITHOUT THE WRITTEN PERMISSION OF ALTIMATE MEDICAL IS PROHIBITED.

REVISIONS				
REV:	DESCRIPTION:	ECO #:	DATE:	APPROVED:
000	NEW RELEASE.	DCR-01002	11/19/12	MWL



ITEM NO.	PART NO.	REV	QTY.	NAME
1	600001	000	1	LINAK ACTUATOR EVOLV
2	Y1111	000	1	MOUNT LINAK BANTAM MED RH
3	Y1112	000	1	MOUNT LINAK BANTAM MED LH
4	600152	000	1	LINAK MOUNT PIN
5	600236	000	1	BOLT M10 X 40 SHOULDER SHCS
6	600365	-	1	BOLT SHOULDER M8 X 35
7	600218	000	1	BOLT SHOULDER M10 X 70
8	600009		9	NUT NYLOCK M8 X 1.25
9	600053		4	BOLT BTN SHCS M8 X 1.25 - 20
10	Y1052	000	1	MOUNT BATTER BOX BANTAM MED
11	600242	000	1	CONTROL BOX WITH BATTERIES
12	Y2007	000	2	COVED WASHER 1.25 DIA
13	600084		2	BOLT SHCS M8 X 1.25 - 55
14	Y1051	000	1	BRACKET HYDRAULIC DAMPER
15	600248	000	1	DAMPENER EMERGENCY RELEASE
16	600159	000	3	WASHER NYLON M8
17	600268	000	1	EYELET END M6
18	600008		4	NUT NYLOCK M6 X 1.0
19	Y1053	000	1	BRACKET MOUNT PENDENT HANDLE
20	600230		2	BOLT FLT SHCS M6 X 1.0 - 20
21	y1054	000	1	PENDANT HANDLE
22	600543	000	1	RELEASE HANDLE ASSEMBLY
23	600561		1	BOLT SHCS M5 X .8 - 35
24	600118		5	NUT NYLOCK M5 X .8
25	600243	000	1	HAND PENDANT LINAK
26	92602	000	1	QUICK PIN
27	NG40021	000	1	EMERGENCY TAG
28	600119		4	BOLT SHCS M5 X .8 - 20
29	600552	000	1	CABLE 40" STRAIGHT
30	NG40020	B	1	LABEL BATTERY CHARGER
31	600251	A	1	BATTERY CHARGER
32	80809	A	1	TOOL POUCH
33	10765A	A	1	ELECTRIC LIFT LABEL
34	600391	000	1	TIE STRAP 24-3/16" LONG
35	53010	A	1	COVED WASHER
36	600160	000	1	WASHER 1/4" USS ZINC

IF BOX CONTAINS AN "X", SEE NOTES THAT APPLY TO EACH SUBJECT.	APPROVED:	DATE:	UNLESS OTHERWISE SPECIFIED DIMENSIONS ARE IN INCHES. TOLERANCES AND SPECS. ARE: DECIMALS .X ± .1 .XX ± .03 .XXX ± .015 HOLE SIZE TOLERANCE: (+.005/- .000) BREAK EDGES .005 - .015 CMFR DRILLED HOLES .03 X 45°	ALTIMATE MEDICAL, INC. PO BOX 180 - 262 WEST FIRST STREET - MORTON, MN 56270 PHONE (507) 697-6393 FAX (507) 697-6900 DESCRIPTION: ASMBLY ELECTRIC LIFT BANTAM MED SIZE DWG. NO. Y5564 REV. 000 SCALE = 1:1 CAD FILE NAME: Y5564 SHEET 1 OF 1	
<input type="checkbox"/> SEE SHIPPING INSTRUCTIONS	DRAWN: MWL	DATE: 12/5/11			MATERIAL:
<input type="checkbox"/> RECEIVING INSPECTION	EXPIRATION DATE:				FINISH:
<input type="checkbox"/> SEE ENVIRONMENTAL INSTRUCTIONS					CODE: ASMBLY