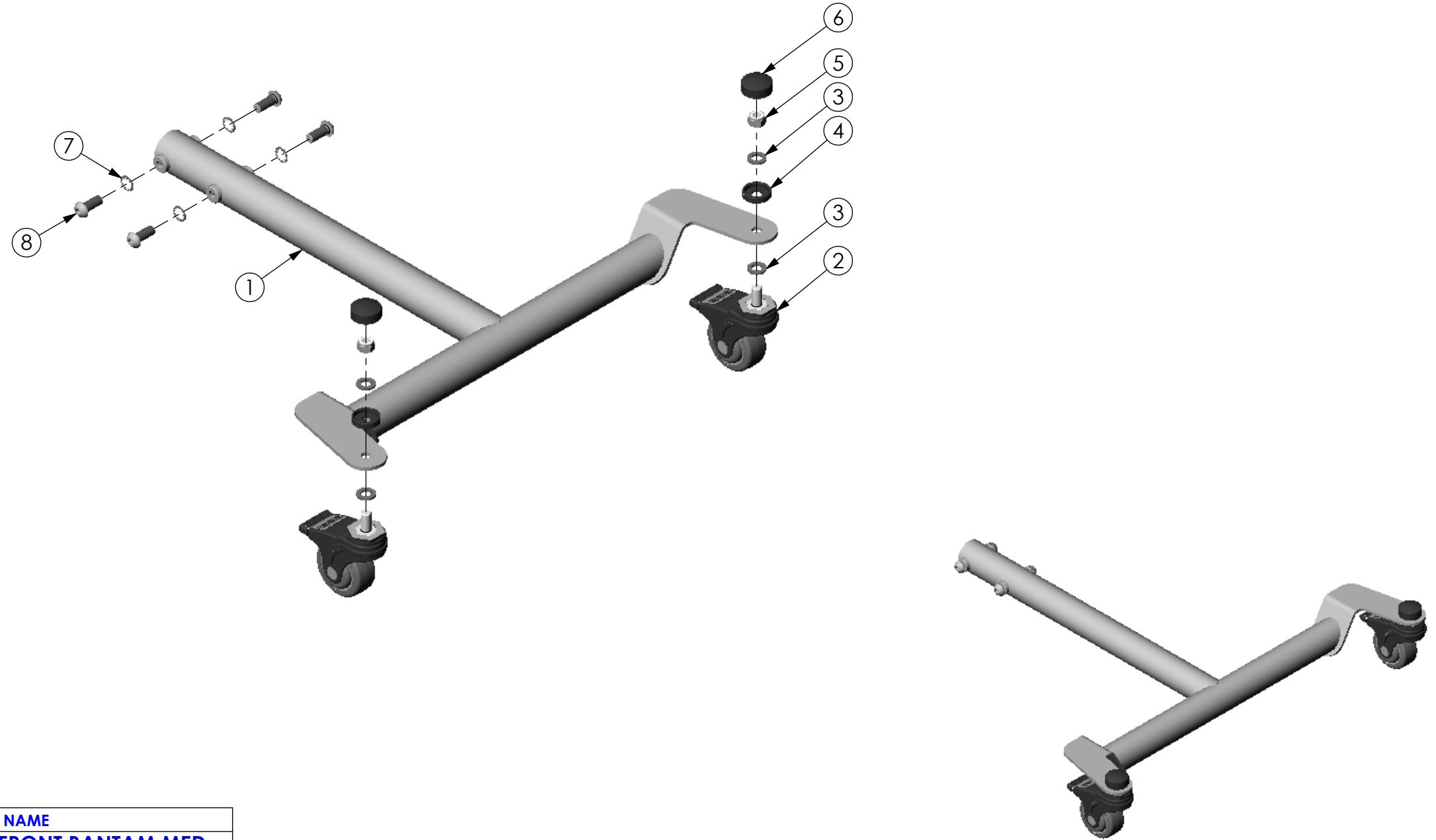


THE INFORMATION CONTAINED IN THIS DRAWING IS THE SOLE PROPERTY OF
 ALTIMATE MEDICAL. ANY REPRODUCTION IN PART OR WHOLE WITHOUT
 THE WRITTEN PERMISSION OF ALTIMATE MEDICAL IS PROHIBITED.

REVISIONS				
REV:	DESCRIPTION:	ECO #:	DATE:	APPROVED:
000	NEW RELEASE.	DCR-01002	11/14/12	MWL



ITEM NO.	PART NO.	REV	QTY.	NAME
1	Y1120	000	1	FRAME SWIVEL FRONT BANTAM MED
2	600467	000	2	CASTER 76mm BLACK
3	600325	000	4	WASHER FLAT M12
4	NG20039	A	2	BUSHING SHOULDER
5	600011	000	2	NUT M12 X 1.75 NYLON LOCK
6	NG20027	000	2	COVER BUSHING
7	600502	000	4	WASHER LOCK 12mm INTERNAL TOOTH
8	600274		4	BOLT BTN SHCS M12 X 1.75 - 30

IF BOX CONTAINS AN "X", SEE NOTES THAT APPLY TO EACH SUBJECT. <input type="checkbox"/> SEE SHIPPING INSTRUCTIONS <input type="checkbox"/> RECEIVING INSPECTION <input type="checkbox"/> SEE ENVIRONMENTAL INSTRUCTIONS	APPROVED:	DATE:	UNLESS OTHERWISE SPECIFIED DIMENSIONS ARE IN INCHES. TOLERANCES AND SPECS. ARE: DECIMALS: .X ± .1 .XX ± .03 .XXX ± .015 HOLE SIZE TOLERANCE: (+.005/- .000) BREAK EDGES .005 - .015 CMFR DRILLED HOLES .03 X 45°	ALTIMATE MEDICAL, INC. PO BOX 180 - 262 WEST FIRST STREET - MORTON, MN 56270 PHONE (507) 697-6393 FAX (507) 697-6900 DESCRIPTION: SWIVEL FRONT BANTAM MED SIZE DWG. NO. Y5568 REV. 000 SCALE = 1:6 CAD FILE NAME: Y5568 SHEET 1 OF 1	
	DRAWN: TJF	DATE: 4/9/12			MATERIAL:
	EXPIRATION DATE: -	FINISH: -			CODE: ASMBLY