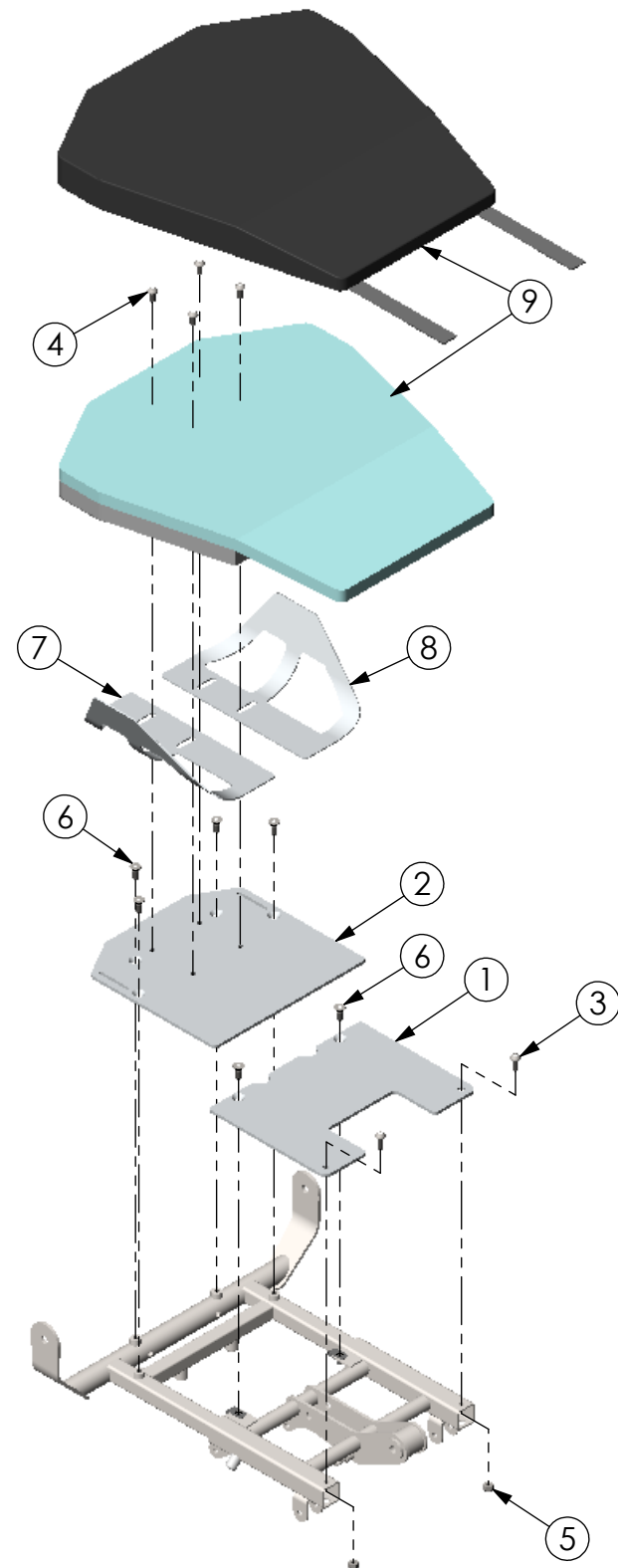


THE INFORMATION CONTAINED IN THIS DRAWING IS THE SOLE PROPERTY OF
 ALTIMATE MEDICAL. ANY REPRODUCTION IN PART OR WHOLE WITHOUT
 THE WRITTEN PERMISSION OF ALTIMATE MEDICAL IS PROHIBITED.

REVISIONS				
REV:	DESCRIPTION:	ECO #:	DATE:	APPROVED:
000	NEW RELEASE.	DCR-01002	11/19/12	MWL



ITEM NO.	PART NO.	REV	QTY.	NAME
1	Y1121	000	1	SEAT PAN BOTTOM BANTAM MED
2	Y1122	000	1	SEAT MOUNT COMFY MED
3	600053		2	BOLT BTN SHCS M8 X 1.25 - 20
4	600412		4	BOLT BTN SHCS M8 X 1.25 - 16
5	600009		2	NUT NYLOCK M8 X 1.25
6	600103		6	BOLT FLT HD M8 X 1.25 - 20
7	Y1124	000	1	WING CONTOUR NARROW RH
8	Y1125	000	1	WING CONTOUR NARROW LH
9	Y3009	000	1	SEAT CONTOURED NARROW

IF BOX CONTAINS AN "X", SEE NOTES THAT APPLY TO EACH SUBJECT. <input type="checkbox"/> SEE SHIPPING INSTRUCTIONS <input type="checkbox"/> RECEIVING INSPECTION <input type="checkbox"/> SEE ENVIRONMENTAL INSTRUCTIONS	APPROVED:	DATE:	UNLESS OTHERWISE SPECIFIED DIMENSIONS ARE IN INCHES. TOLERANCES AND SPECS. ARE: DECIMALS ANGLES .X ± .1 .X ± .5° .XX ± .03 .XXX ± .015 HOLE SIZE TOLERANCE: (+.005/- .000) BREAK EDGES .005 - .015 CMFR DRILLED HOLES .03 X 45°	ALTIMATE MEDICAL, INC. PO BOX 180 - 262 WEST FIRST STREET - MORTON, MN 56270 PHONE (507) 697-6393 FAX (507) 697-6900 DESCRIPTION: ASMBLY SEAT CONTOUR NARROW SIZE DWG. NO. Y5570 REV. 000 SCALE = 1:1 CAD FILE NAME: Y5570 SHEET 1 OF 1	
	DRAWN: MWL	DATE: 4/27/12			MATERIAL:
	EXPIRATION DATE: -	FINISH: -			CODE: ASMBLY