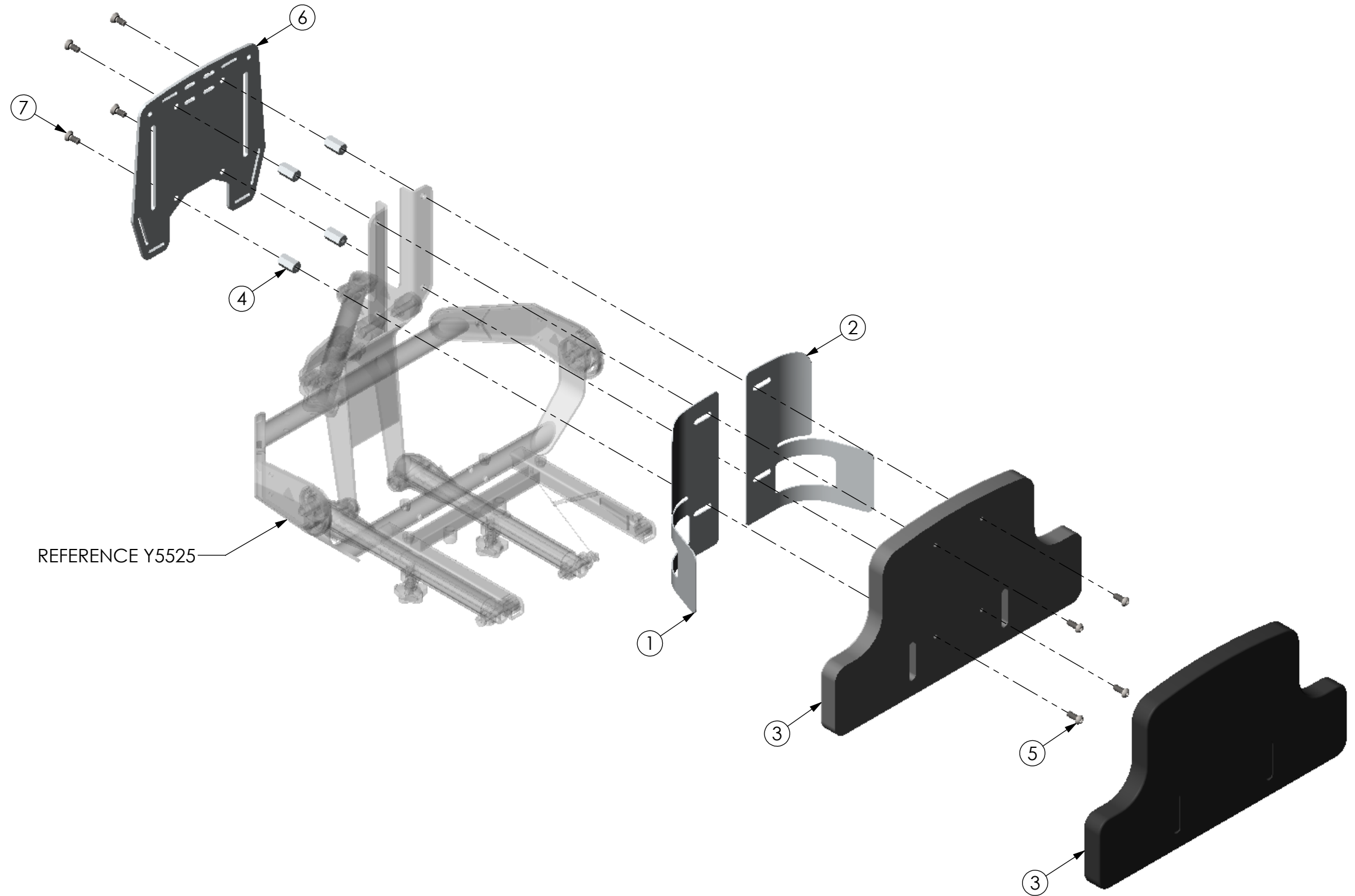


THE INFORMATION CONTAINED IN THIS DRAWING IS THE SOLE PROPERTY OF
 ALTIMATE MEDICAL. ANY REPRODUCTION IN PART OR WHOLE WITHOUT
 THE WRITTEN PERMISSION OF ALTIMATE MEDICAL IS PROHIBITED.

REVISIONS				
REV:	DESCRIPTION:	ECO #:	DATE:	APPROVED:
000	NEW RELEASE.	DCR-01002	11/27/12	MWL



REFERENCE Y5525

ITEM NO.	PART NO.	REV	QTY.	NAME
1	Y1128	000	1	CONTOUR BACK WING 15" RH
2	Y1129	000	1	WING CONTOUR BACK 15" LH
3	Y3011	000	1	BACK CONTOURED 15"
4	600584	000	4	NUT COUPLING M8 X 1.25
5	600053		4	BOLT BTN SHCS M8 X 1.25 - 20
6	Y1074	000	1	ACCESSORY PLATE 15"
7	600103		4	BOLT FLT HD M8 X 1.25 - 20

IF BOX CONTAINS AN "X", SEE NOTES THAT APPLY TO EACH SUBJECT. <input type="checkbox"/> SEE SHIPPING INSTRUCTIONS <input type="checkbox"/> RECEIVING INSPECTION <input type="checkbox"/> SEE ENVIRONMENTAL INSTRUCTIONS	APPROVED:	DATE:	UNLESS OTHERWISE SPECIFIED DIMENSIONS ARE IN INCHES. TOLERANCES AND SPECS. ARE: DECIMALS: .X ± .1 .XX ± .03 .XXX ± .015 HOLE SIZE TOLERANCE: (+.005/- .000) BREAK EDGES .005 - .015 CMFR DRILLED HOLES .03 X 45°	ALTIMATE MEDICAL, INC. PO BOX 180 - 262 WEST FIRST STREET - MORTON, MN 56270 PHONE (507) 697-6393 FAX (507) 697-6900 DESCRIPTION: ASMBLY BACK CONTOURED 15" SIZE DWG. NO. Y5574 REV. 000 SCALE = 1:6 CAD FILE NAME: Y5574 SHEET 1 OF 1	
	DRAWN: MWL	DATE: 4/30/12			MATERIAL:
	EXPIRATION DATE:				FINISH:
					CODE: ASMBLY