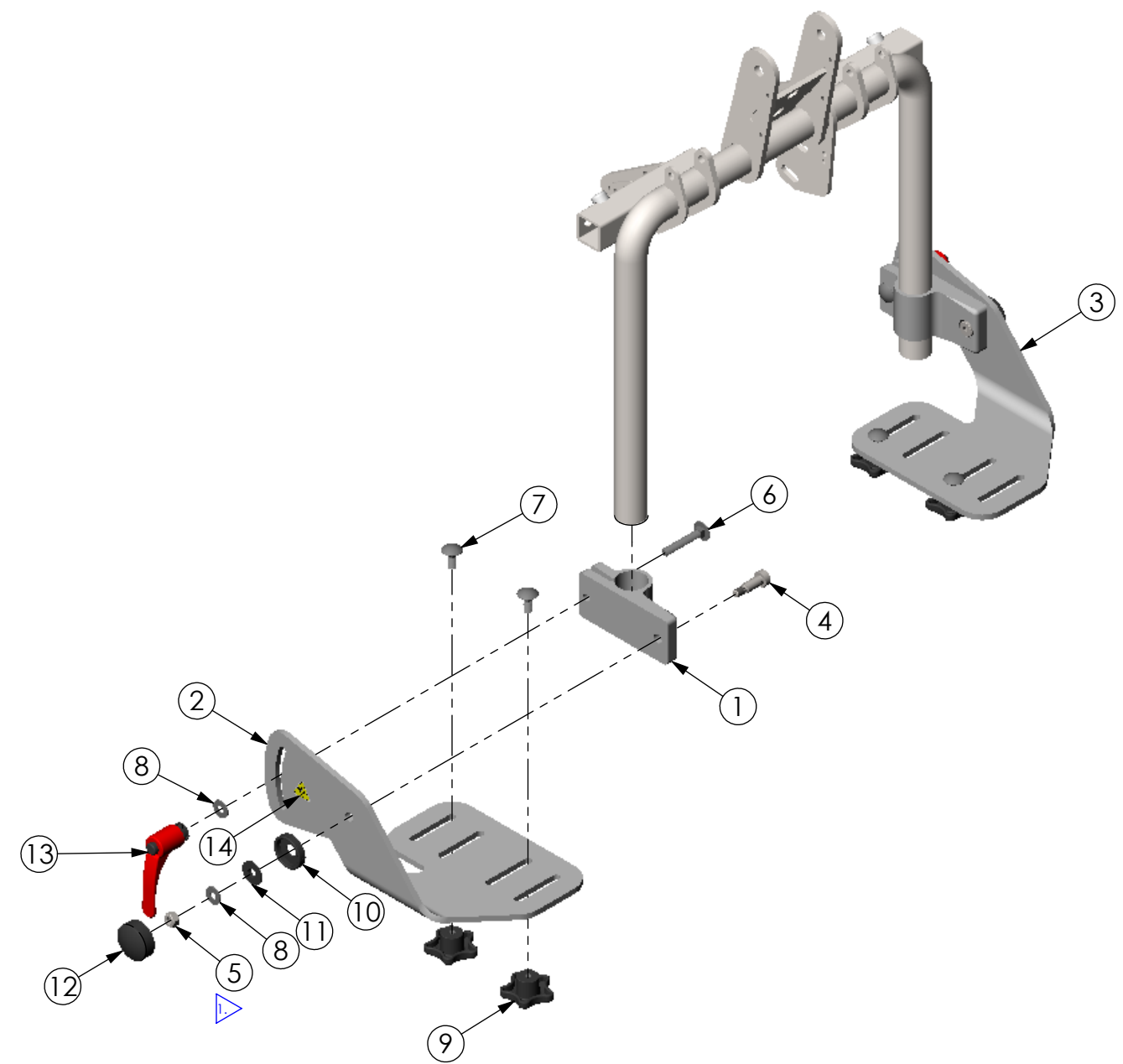


THE INFORMATION CONTAINED IN THIS DRAWING IS THE SOLE PROPERTY OF  
 ALTIMATE MEDICAL. ANY REPRODUCTION IN PART OR WHOLE WITHOUT  
 THE WRITTEN PERMISSION OF ALTIMATE MEDICAL IS PROHIBITED.

REVISIONS				
REV:	DESCRIPTION:	ECO #:	DATE:	APPROVED:
000	NEW RELEASE.	DCR-01002	11/14/12	MWL



ITEM NO.	PART NO.	REV	QTY.	NAME
1	Y1046	000	2	FOOT CLAMP 1.25 DIA
2	Y1043	000	1	FOOT PLATE BANTAM MED/ LG
3	Y1044	000	1	FOOT PLATE BANTAM MED/ LG LH
4	600461		2	BOLT M10 X 20 SHOULDER
5	600009		2	NUT NYLOCK M8 X 1.25
6	600551	000	2	BOLT CARRIAGE M8 X 1.25 - 50
7	600126	000	4	BOLT M8 X 1.25 - 20 CARRIAGE
8	600160	000	4	WASHER 1/4" USS ZINC
9	600436	000	4	KNOB FIVE POINT FEMALE M8 NYLOCK
10	NG20039	A	2	BUSHING SHOULDER
11	NG20035	B	2	WASHER SHOULDER NYLON
12	NG20027	000	2	COVER BUSHING
13	600482	000	2	KNOB LEVER FEMALE M8 X 1.25
14	Y4001	000	2	LABEL HAND CRUSH

**NOTE:**  
 1. LEAVE NUT JUST LOOSE ENOUGH TO ALLOW BRACKET TO ROTATE UP AND DOWN.

IF BOX CONTAINS AN "X", SEE NOTES THAT APPLY TO EACH SUBJECT.		APPROVED: _____ DATE: _____		<b>UNLESS OTHERWISE SPECIFIED DIMENSIONS ARE IN INCHES. TOLERANCES AND SPECS. ARE:</b> DECIMALS      ANGLES .X ± .1            .X ± .5° .XX ± .03 .XXX ± .015 HOLE SIZE TOLERANCE: (+.005/ -.000) BREAK EDGES .005 - .015 CMFR DRILLED HOLES .03 X 45°	<b>ALTIMATE MEDICAL, INC.</b> PO BOX 180 - 262 WEST FIRST STREET - MORTON, MN 56270 PHONE (507) 697-6393      FAX (507) 697-6900 DESCRIPTION: ASMBLY FOOT MULTI-ADJUSTABLE SIZE DWG. NO. <b>Y5586</b> REV. <b>000</b> SCALE = 1:6      CAD FILE NAME: Y5586      SHEET 1 OF 1
<input type="checkbox"/> SEE SHIPPING INSTRUCTIONS	DRAWN: MWL	DATE: 5/29/12	MATERIAL:		
<input type="checkbox"/> RECEIVING INSPECTION	EXPIRATION DATE: -		FINISH: -		
<input type="checkbox"/> SEE ENVIRONMENTAL INSTRUCTIONS	CODE: ASMBLY				