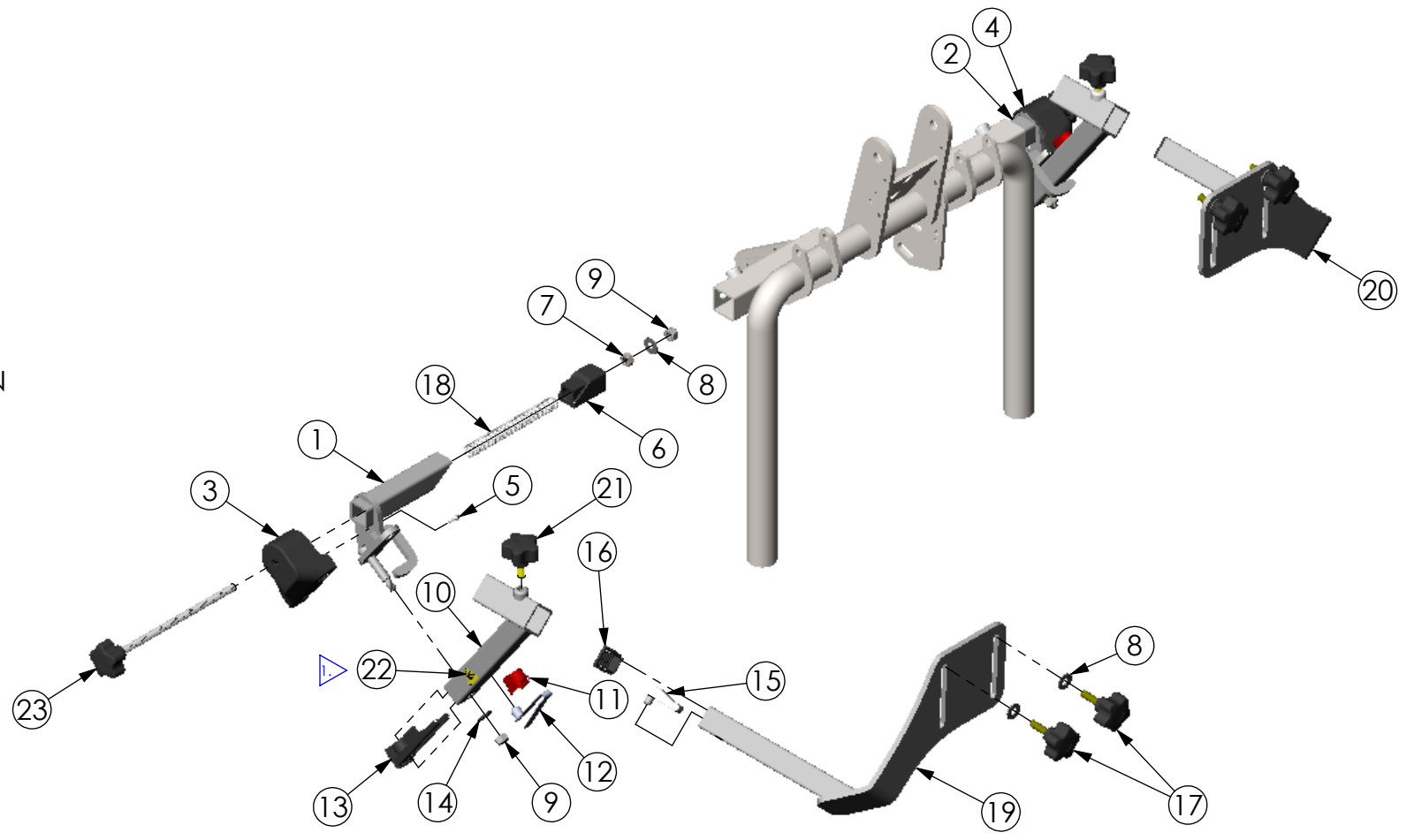
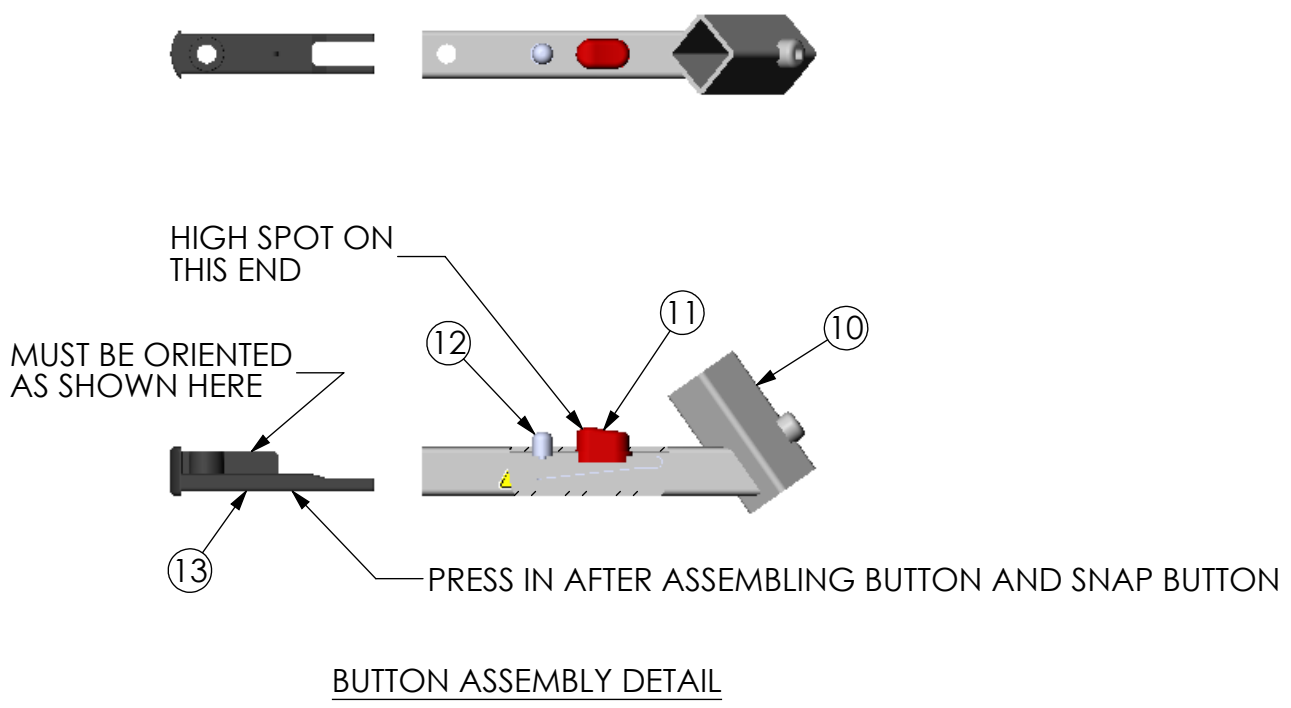


THE INFORMATION CONTAINED IN THIS DRAWING IS THE SOLE PROPERTY OF  
 ALTIMATE MEDICAL. ANY REPRODUCTION IN PART OR WHOLE WITHOUT  
 THE WRITTEN PERMISSION OF ALTIMATE MEDICAL IS PROHIBITED.

REVISIONS				
REV:	DESCRIPTION:	ECO #:	DATE:	APPROVED:
000	NEW RELEASE.	DCR-01002	11/19/12	MWL



ITEM NO.	PART NO.	REV	QTY.	NAME
1	Y1025	000	1	BRKT KNEE SWING AWAY MED RH
2	Y1026	000	1	BRKT KNEE SWING AWAY MED LH
3	T20056	000	1	RAMPED END CAP RH
4	T20057	000	1	RAMPED END CAP LH
5	600474	000	2	SCREW WOOD #6 X 5/8
6	Y2000	000	2	LUG PLUNGER LOCK 1"
7	600409		2	NUT HEX M8 X 1.25
8	600160	000	6	WASHER 1/4" USS ZINC
9	600009		4	NUT NYLOCK M8 X 1.25
10	Y1027	000	2	BRKT KNEE SWING AWAY BANTAM MED
11	T20053	000	2	BUTTON
12	80825	000	2	SNAP BUTTON
13	T20055	000	2	END CAP SWING AWAY KNEE
14	600159	000	2	WASHER NYLON M8
15	92901	A	2	SNAP BUTTON
16	600529	000	2	END CAP 1.00 SQUARE
17	600573	000	4	KNOB MALE 5 POINT M8 X 1.25 - 25
18	600341	000	2	SPRING 9/16 DIA X 5.0 X .054
19	Y1086	000	1	BRACKET KNEE MULTI-ADJ RH
20	Y1087	000	1	BRACKET KNEE MULTI-ADJ LH
21	600131	000	2	KNOB MALE 5 POINT M8 X 1.25 - 16
22	Y4001	000	2	LABEL HAND CRUSH
23	600408	000	2	SHAFT THREADED M8 X 1.25 W/ KNOB

**NOTE:**  
 1. ADD DECAL IN THE SAME PLACE ON THE OPPOSITE SIDE OF THE UNIT.

IF BOX CONTAINS AN "X", SEE NOTES THAT APPLY TO EACH SUBJECT. <input type="checkbox"/> SEE SHIPPING INSTRUCTIONS <input type="checkbox"/> RECEIVING INSPECTION <input type="checkbox"/> SEE ENVIRONMENTAL INSTRUCTIONS	APPROVED:	DATE:	<b>UNLESS OTHERWISE SPECIFIED DIMENSIONS ARE IN INCHES. TOLERANCES AND SPECS. ARE:</b> DECIMALS: .X ± .1 .XX ± .03 .XXX ± .015 HOLE SIZE TOLERANCE: (+.005/-.000) BREAK EDGES .005 - .015 CMFR DRILLED HOLES .03 X 45°	<b>ALTIMATE MEDICAL, INC.</b> PO BOX 180 - 262 WEST FIRST STREET - MORTON, MN 56270 PHONE (507) 697-6393 FAX (507) 697-6900 DESCRIPTION: <b>ASSEMBLY KNEES SWING AWAY</b> SIZE DWG. NO. <b>Y5596</b> REV. <b>000</b> SCALE = 1:7 CAD FILE NAME: Y5596 SHEET 1 OF 1	
	DRAWN: MWL	DATE: 5/29/12			MATERIAL:
	EXPIRATION DATE:				FINISH:
					CODE: ASMBLY