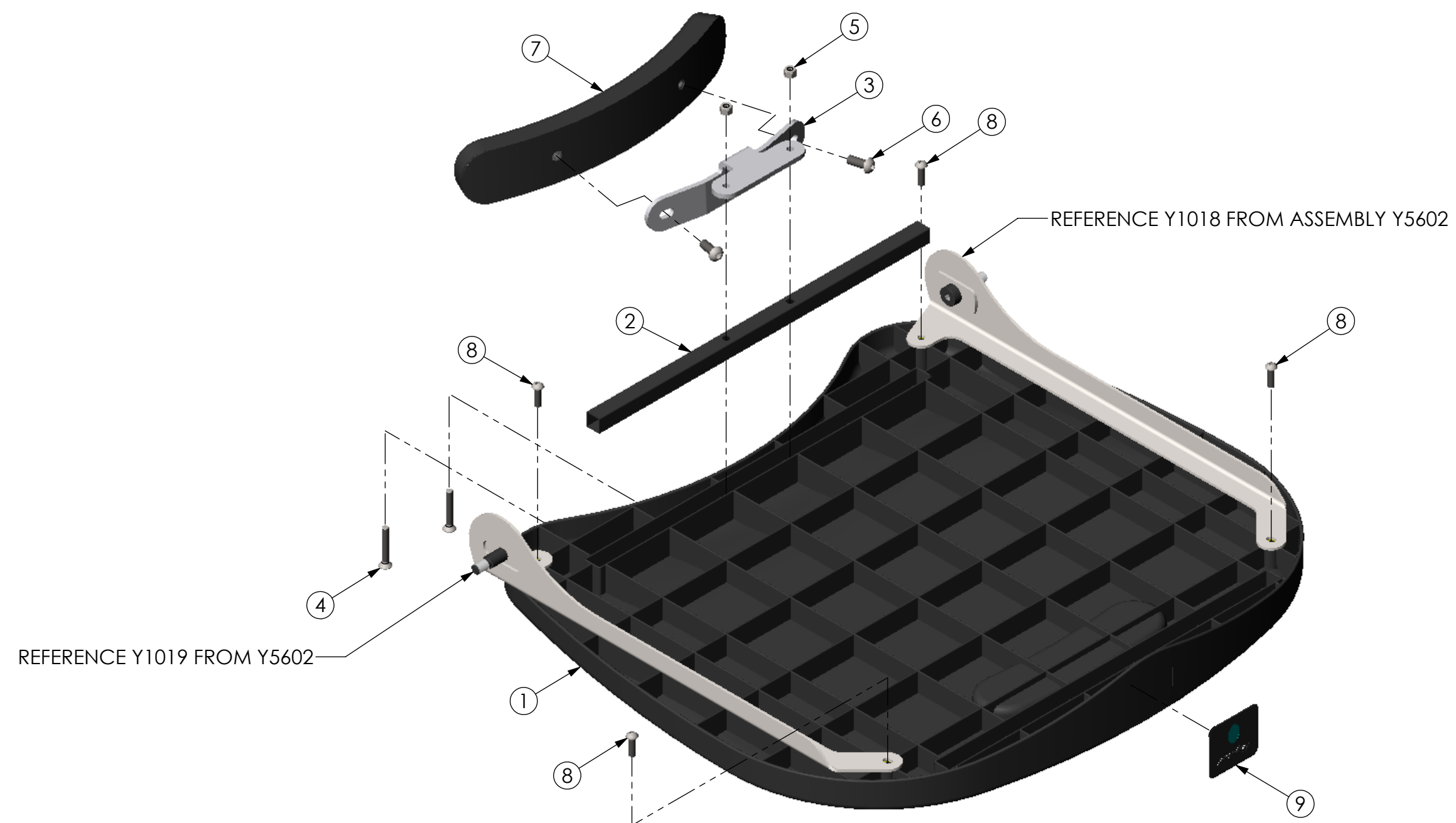


THE INFORMATION CONTAINED IN THIS DRAWING IS THE SOLE PROPERTY OF  
 ALTIMATE MEDICAL. ANY REPRODUCTION IN PART OR WHOLE WITHOUT  
 THE WRITTEN PERMISSION OF ALTIMATE MEDICAL IS PROHIBITED.

REVISIONS				
REV:	DESCRIPTION:	ECO #:	DATE:	APPROVED:
000	NEW RELEASE.	DCR-01002	11/19/12	MWL



ITEM NO.	PART NO.	REV	QTY.	NAME
1	NG20103	A	1	TABLE MOLDED EVOLV
2	NG10809	A	1	TUBE TABLE REINFORCEMENT
3	T10179	A	1	BRACKET CHEST PAD STANDARD
4	600180	000	2	BOLT FLT SHCS M6 X 1.0 - 40
5	600008		2	NUT NYLOCK M6 X 1.0
6	600053		2	BOLT BTN SHCS M8 X 1.25 - 20
7	T30046	000	1	PAD FRONT BANTAM
8	600029		4	BOLT BTN SHCS M6 X 1.0 - 20
9	99102	B	1	BLACK MOLDED TABLE LABEL

IF BOX CONTAINS AN "X", SEE NOTES THAT APPLY TO EACH SUBJECT. <input type="checkbox"/> SEE SHIPPING INSTRUCTIONS <input type="checkbox"/> RECEIVING INSPECTION <input type="checkbox"/> SEE ENVIRONMENTAL INSTRUCTIONS	APPROVED:	DATE:	<b>UNLESS OTHERWISE SPECIFIED DIMENSIONS ARE IN INCHES. TOLERANCES AND SPECS. ARE:</b> DECIMALS: .X ± .1 .XX ± .03 .XXX ± .015 ANGLES: .X ± .5° HOLE SIZE TOLERANCE: (+.005/- .000) BREAK EDGES .005 - .015 CMFR DRILLED HOLES .03 X 45°	<b>ALTIMATE MEDICAL, INC.</b> PO BOX 180 - 262 WEST FIRST STREET - MORTON, MN 56270 PHONE (507) 697-6393 FAX (507) 697-6900 DESCRIPTION: <b>ASSEMBLY TRAY STANDARD</b> SIZE DWG. NO. <b>Y5604</b> REV. <b>000</b> SCALE = 1:4 CAD FILE NAME: Y5604 SHEET 1 OF 1	
	DRAWN: MWL	DATE: 5/29/12			MATERIAL:
	EXPIRATION DATE:				FINISH:
					CODE: ASMBLY