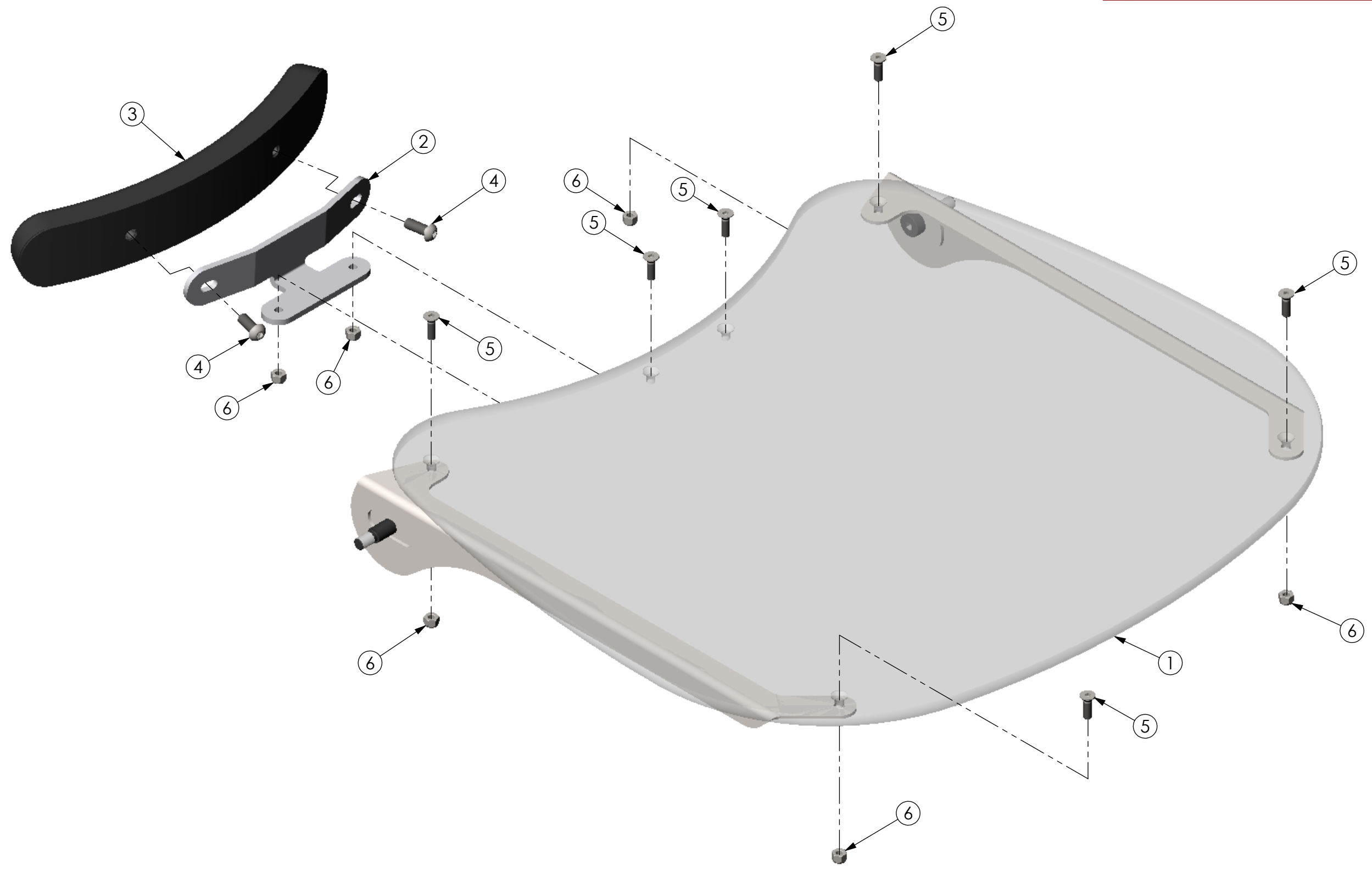


THE INFORMATION CONTAINED IN THIS DRAWING IS THE SOLE PROPERTY OF
 ALTIMATE MEDICAL. ANY REPRODUCTION IN PART OR WHOLE WITHOUT
 THE WRITTEN PERMISSION OF ALTIMATE MEDICAL IS PROHIBITED.

REVISIONS				
REV:	DESCRIPTION:	ECO #:	DATE:	APPROVED:
000	NEW RELEASE.	DCR-01002	11/19/12	MWL



ITEM NO.	PART NO.	REV	QTY.	NAME
1	NG20106	000	1	TABLE CLEAR
2	T10179	A	1	BRACKET CHEST PAD STANDARD
3	T30046	000	1	PAD FRONT BANTAM
4	600053		2	BOLT BTN SHCS M8 X 1.25 - 20
5	600230		6	BOLT FLT SHCS M6 X 1.0 - 20
6	600008		6	NUT NYLOCK M6 X 1.0

IF BOX CONTAINS AN "X", SEE NOTES THAT APPLY TO EACH SUBJECT. <input type="checkbox"/> SEE SHIPPING INSTRUCTIONS <input type="checkbox"/> RECEIVING INSPECTION <input type="checkbox"/> SEE ENVIRONMENTAL INSTRUCTIONS	APPROVED:	DATE:	UNLESS OTHERWISE SPECIFIED DIMENSIONS ARE IN INCHES. TOLERANCES AND SPECS. ARE: DECIMALS: .X ± .1 .XX ± .03 .XXX ± .015 HOLE SIZE TOLERANCE: (+.005/-.000) BREAK EDGES .005 - .015 CMFR DRILLED HOLES .03 X 45°	ALTIMATE MEDICAL, INC. PO BOX 180 - 262 WEST FIRST STREET - MORTON, MN 56270 PHONE (507) 697-6393 FAX (507) 697-6900 DESCRIPTION: ASSEMBLY TRAY CLEAR SIZE DWG. NO. Y5606 REV. 000 SCALE = 1:3 CAD FILE NAME: Y5606 SHEET 1 OF 1
	DRAWN: MWL DATE: 5/29/12 EXPIRATION DATE: -	MATERIAL: FINISH: - CODE: ASMBLY		