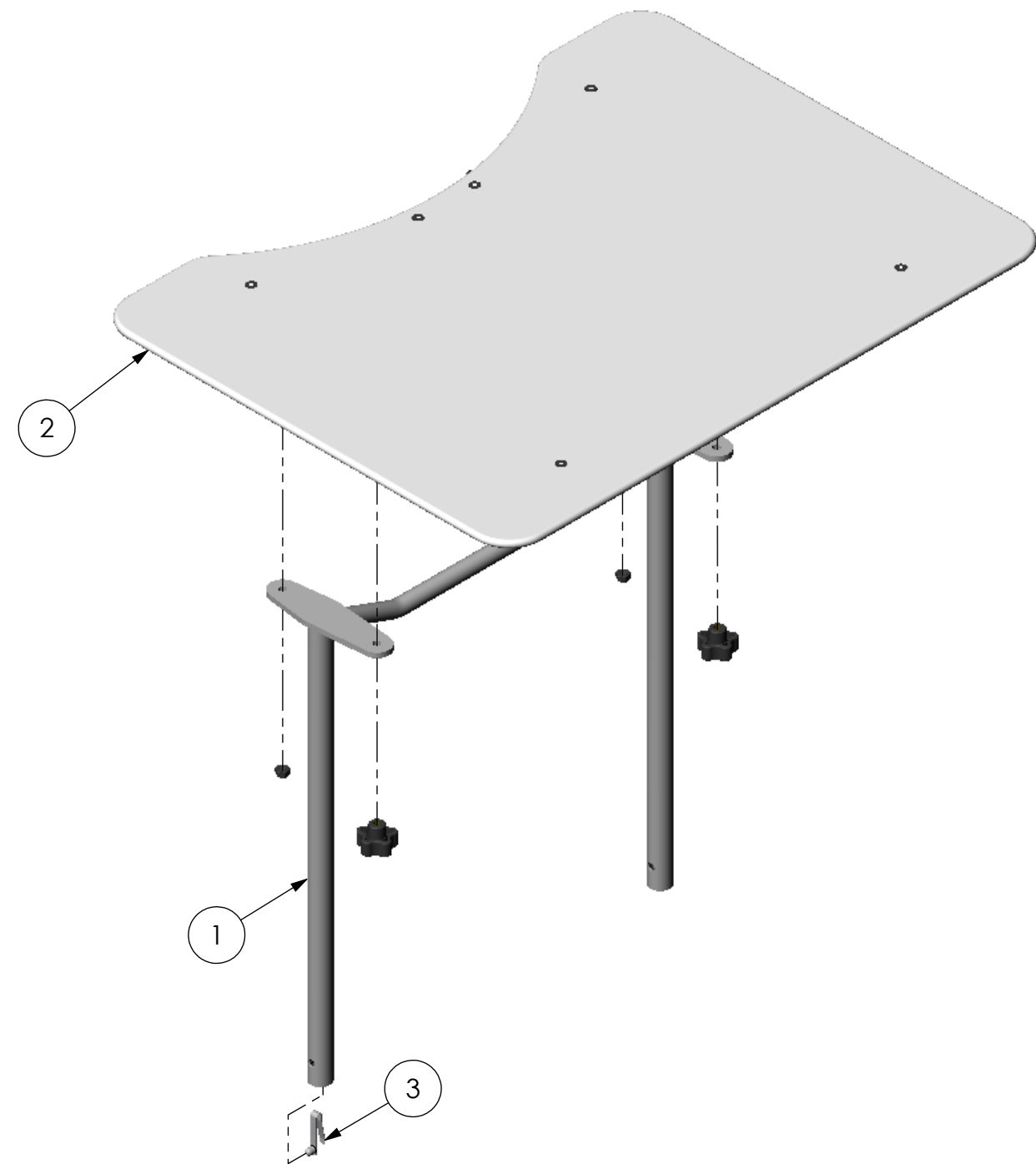


THE INFORMATION CONTAINED IN THIS DRAWING IS THE SOLE PROPERTY OF  
 ALTIMATE MEDICAL. ANY REPRODUCTION IN PART OR WHOLE WITHOUT  
 THE WRITTEN PERMISSION OF ALTIMATE MEDICAL IS PROHIBITED.

| REVISIONS |              |           |          |           |
|-----------|--------------|-----------|----------|-----------|
| REV:      | DESCRIPTION: | ECO #:    | DATE:    | APPROVED: |
| 000       | NEW RELEASE. | DCR-01002 | 11/19/12 | MWL       |



**NOTE:**  
 1. COMES STANDARD WITH CHEST PAD NG30001.

| ITEM NO. | PART NO. | REV | QTY. | NAME                            |
|----------|----------|-----|------|---------------------------------|
| 1        | Y1069    | 000 | 1    | TABLE SUPPORT MED. BANTAM       |
| 2        | NG50457  | C   | 1    | TRAY ASSEMBLY OVERSIZED H-FRAME |
| 3        | 92901    | A   | 1    | SNAP BUTTON                     |

|   |                    |               |   |  |              |
|---|--------------------|---------------|---|--|--------------|
| IF BOX CONTAINS AN "X", SEE NOTES THAT APPLY TO EACH SUBJECT.<br><input type="checkbox"/> SEE SHIPPING INSTRUCTIONS<br><input type="checkbox"/> RECEIVING INSPECTION<br><input type="checkbox"/> SEE ENVIRONMENTAL INSTRUCTIONS | APPROVED:          | DATE:         | <b>UNLESS OTHERWISE SPECIFIED DIMENSIONS ARE IN INCHES. TOLERANCES AND SPECS. ARE:</b><br>DECIMALS      ANGLES<br>.X ± .1          .X ± .5°<br>.XX ± .03<br>.XXX ± .015<br>HOLE SIZE TOLERANCE:<br>(+.005/-.000)<br>BREAK EDGES .005 - .015<br>CMFR DRILLED HOLES .03 X 45° | <b>ALTIMATE MEDICAL, INC.</b><br>PO BOX 180 - 262 WEST FIRST STREET - MORTON, MN 56270<br>PHONE (507) 697-6393      FAX (507) 697-6900<br>DESCRIPTION:<br>ASMBLY TRAY H-FRAME OVERSIZED<br>SIZE DWG. NO. <b>Y5612</b> REV. <b>000</b><br>SCALE = 1:6      CAD FILE NAME: Y5612      SHEET 1 OF 1 |              |
|   | DRAWN: MWL         | DATE: 5/30/12 |   |  | MATERIAL:    |
|   | EXPIRATION DATE: - | FINISH: -     |   |  | CODE: ASMBLY |