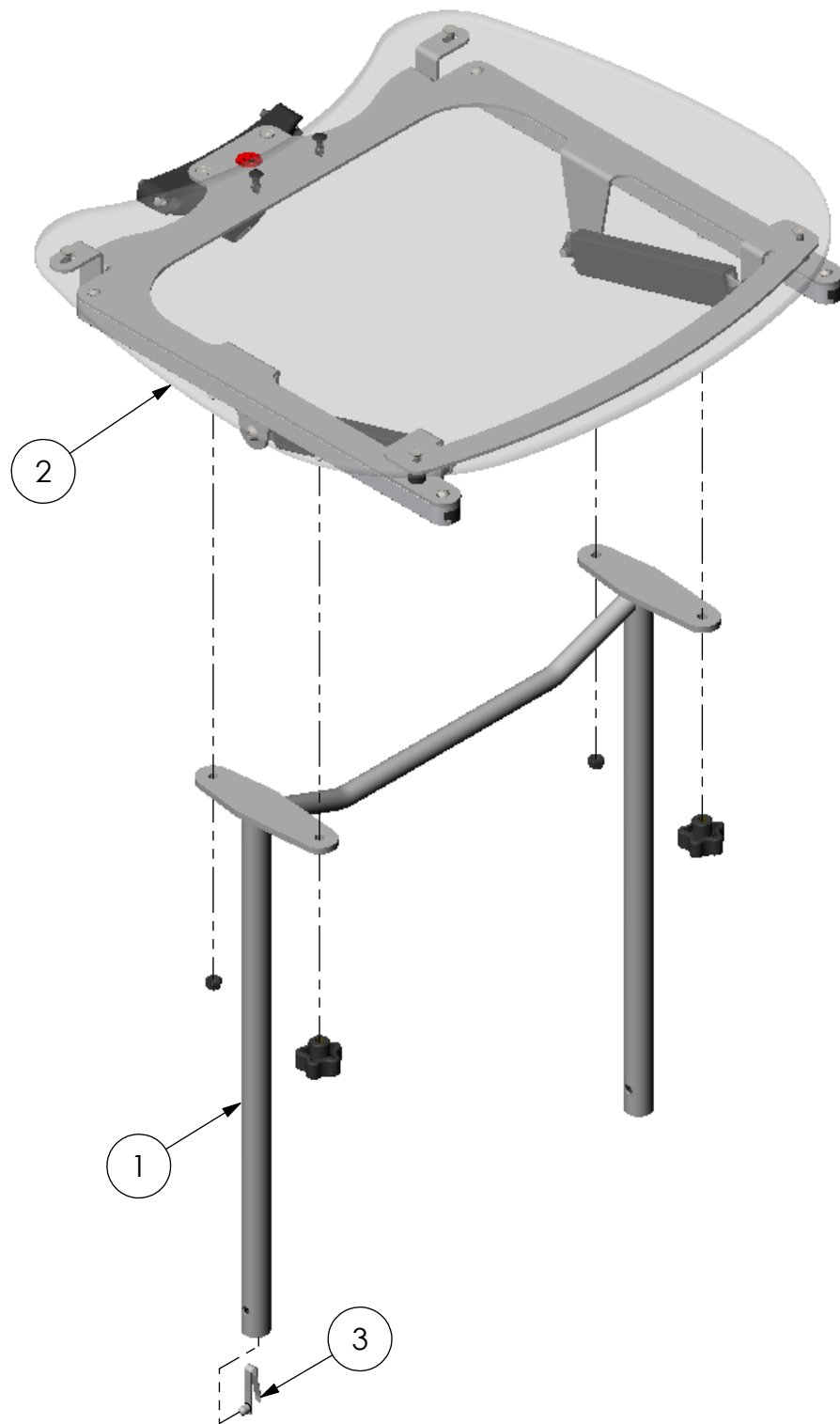


THE INFORMATION CONTAINED IN THIS DRAWING IS THE SOLE PROPERTY OF  
 ALTIMATE MEDICAL. ANY REPRODUCTION IN PART OR WHOLE WITHOUT  
 THE WRITTEN PERMISSION OF ALTIMATE MEDICAL IS PROHIBITED.

REVISIONS				
REV:	DESCRIPTION:	ECO #:	DATE:	APPROVED:
000	NEW RELEASE.	DCR-01002	11/19/12	MWL



**NOTE:**  
 1. COMES STANDARD WITH CHEST PAD NG30001.

ITEM NO.	PART NO.	REV	QTY.	NAME
1	Y1069	000	1	TABLE SUPPORT MED. BANTAM
2	NG50489	000	1	ASMBLY H-FRAME TILT TRAY CLEAR
3	92901	A	1	SNAP BUTTON

IF BOX CONTAINS AN "X", SEE NOTES THAT APPLY TO EACH SUBJECT.		APPROVED: _____ DATE: _____		<b>UNLESS OTHERWISE SPECIFIED DIMENSIONS ARE IN INCHES. TOLERANCES AND SPECS. ARE:</b> DECIMALS      ANGLES .X ± .1          .X ± .5° .XX ± .03 .XXX ± .015 HOLE SIZE TOLERANCE: (+.005/-.000) BREAK EDGES .005 - .015 CMFR DRILLED HOLES .03 X 45°	<b>ALTIMATE MEDICAL, INC.</b> PO BOX 180 - 262 WEST FIRST STREET - MORTON, MN 56270 PHONE (507) 697-6393      FAX (507) 697-6900 DESCRIPTION: ASMBLY TRAY H-FRAME TILT CLEAR SIZE DWG. NO. <b>Y5616</b> REV. <b>000</b> SCALE = 1:6      CAD FILE NAME: Y5616      SHEET 1 OF 1
<input type="checkbox"/> SEE SHIPPING INSTRUCTIONS <input type="checkbox"/> RECEIVING INSPECTION <input type="checkbox"/> SEE ENVIRONMENTAL INSTRUCTIONS	DRAWN: MWL      DATE: 5/30/12      MATERIAL: FINISH: - CODE: ASMBLY EXPIRATION DATE: -				