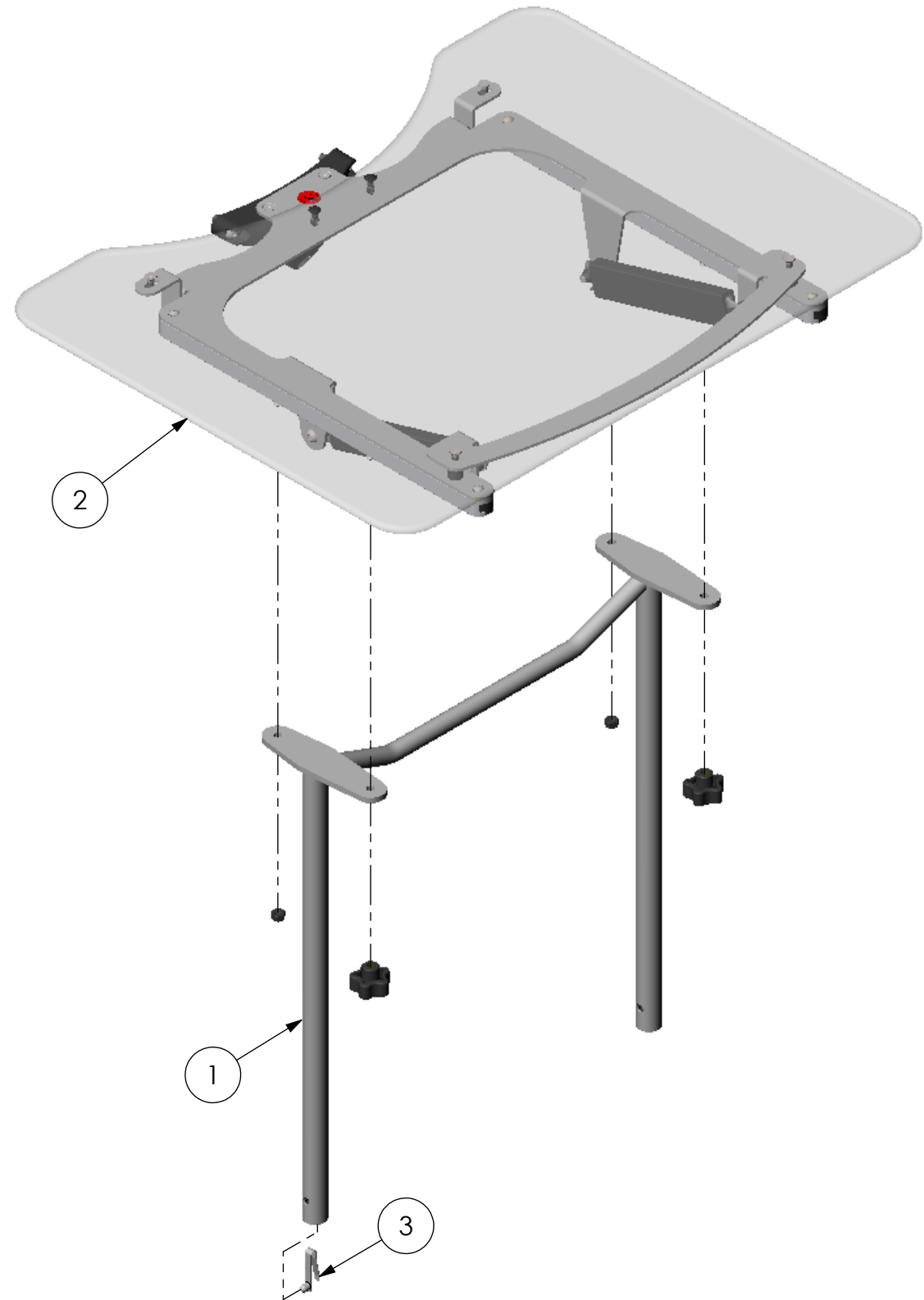


THE INFORMATION CONTAINED IN THIS DRAWING IS THE SOLE PROPERTY OF
 ALTIMATE MEDICAL. ANY REPRODUCTION IN PART OR WHOLE WITHOUT
 THE WRITTEN PERMISSION OF ALTIMATE MEDICAL IS PROHIBITED.

REVISIONS				
REV:	DESCRIPTION:	ECO #:	DATE:	APPROVED:
000	NEW RELEASE.	DCR-01002	11/19/12	MWL



NOTE:
 1. COMES STANDARD WITH CHEST PAD NG30001.

ITEM NO.	PART NO.	REV	QTY.	NAME
1	Y1069	000	1	TABLE SUPPORT MED. BANTAM
2	NG50491	000	1	ASMBLY H-FRAME TILT TRAY O-SIZE
3	92901	A	1	SNAP BUTTON

IF BOX CONTAINS AN "X", SEE NOTES THAT APPLY TO EACH SUBJECT.		APPROVED:		DATE:		UNLESS OTHERWISE SPECIFIED DIMENSIONS ARE IN INCHES. TOLERANCES AND SPECS. ARE:		ALTIMATE MEDICAL, INC.	
<input type="checkbox"/> SEE SHIPPING INSTRUCTIONS	<input type="checkbox"/> RECEIVING INSPECTION	<input type="checkbox"/> SEE ENVIRONMENTAL INSTRUCTIONS	DRAWN: MWL	DATE: 5/30/12	MATERIAL:	DECIMALS .X ± .1	ANGLES .X ± .5°	PO BOX 180 - 262 WEST FIRST STREET - MORTON, MN 56270 PHONE (507) 697-6393 FAX (507) 697-6900	
			EXPIRATION DATE: -	FINISH: -	CODE: ASMBLY	.XX ± .03	.XXX ± .015	DESCRIPTION: ASMBLY TRAY H-FRAME TILT OVERSIZED	
					HOLE SIZE TOLERANCE: (+.005/- .000)		SIZE DWG. NO. Y5618		REV. 000
					BREAK EDGES .005 - .015		SCALE = 1:6		CAD FILE NAME: Y5618
					CMFR DRILLED HOLES .03 X 45°		SHEET 1 OF 1		