

EasyStand[®] StrapStand

P2100-1
Assembly Manual



Please ensure the Assembly Manual stays with the unit at all times.

SYMBOL/LABEL LEGEND



CAUTION/WARNING/ATTENTION



TEMPERATURE



TYPE BF APPLIED PART



DATE OF MANUFACTURE



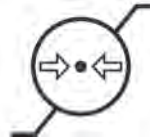
PINCHPOINT



SEE INSTRUCTIONS FOR USE



HUMIDITY



ATMOSPHERIC PRESSURE

SN

SERIAL NUMBER



MANUFACTURER

CE

CONFORMITÉ EUROPÉENNE

Rx only

PRESCRIPTION ONLY

MD

MEDICAL DEVICE



POTENTIALLY HOT SURFACE

Accessible surfaces which may exceed 105°F/41°C and could be a hazard to persons with skin damage or not having sensation.



Waste of electrical and electronic equipment must not be disposed as unsorted municipal waste. It must be collected separately, and must be disposed as per local regulations. Contact your authorized representative for information concerning the decommissioning of your equipment.

CERTIFICATION LABEL/UNIQUE DEVICE IDENTIFICATION LABEL

Manufacturer: Altimate Medical, Inc 262 West First Street Morton, MN 56270 507-697-6393	CE MD	2021	
SN 0000000000			
00000000000000000000			
Model: Height Range: Max. Weight Limit:	Approx. Max. Mass of Unit & Weight Limit: 0000		

Serial Number

SN 0000000000

Item Number
Item Description

Unique Identifier

00000000000000000000

Table of Contents

Assembly 1

Options & Parts Detail. 11

IMPORTANT **EasyStand Warranty Registration** **FREE GIFT Upon Completion** *(warranty & offer valid in the United States only)*

IMPORTANT! Please complete and return within 30 days. To receive the free gift, please fill out all information. Thank You.

To register online go to easystand.com/warranty

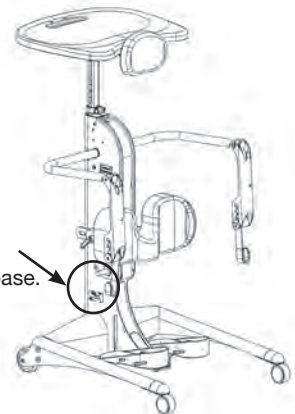
**or Scan the
QR Code**



Date Purchased: _____

Serial #: _____

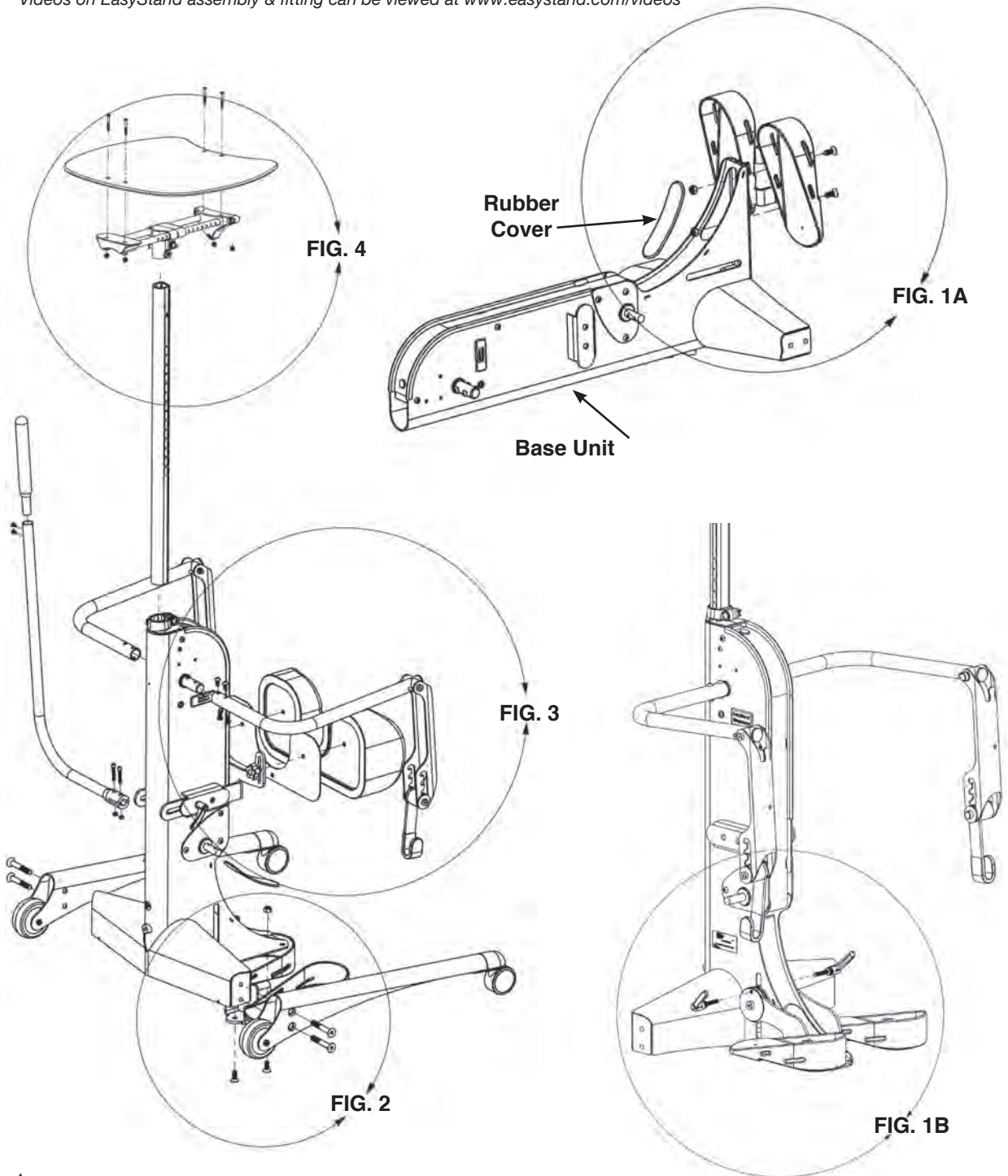
Note: The serial number is located on the side of the base.



Contact Altimate Medical for any information required prior to purchase. This owner's manual along with other information is freely available by request or by downloading from easystand.com.

EasyStand® StrapStand Assembly

Videos on EasyStand assembly & fitting can be viewed at www.easystand.com/videos



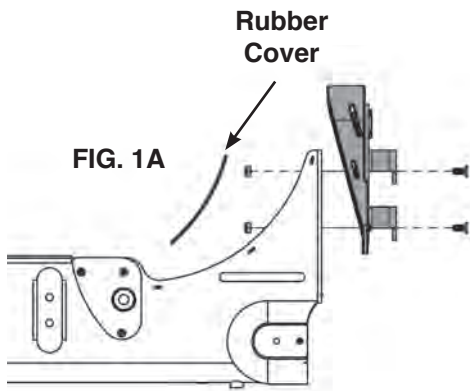


FIG. 1A- For the standard foot plate, place the base unit flat, as shown. Remove the rubber cover on the lower part of the base to expose the inside of the unit and remove bolts from the foot plate bracket. Place foot plate onto the base and insert bolts, tighten nuts securely. Flip the base unit back upright.

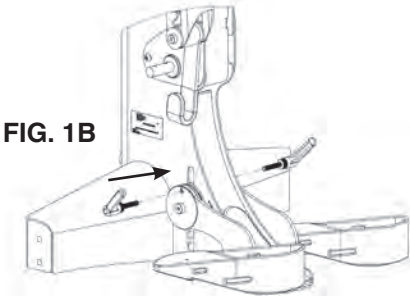


FIG. 1B- For the multi-adjustable foot plates, insert ratchet handle into hole and tighten securely. Repeat step for other side.

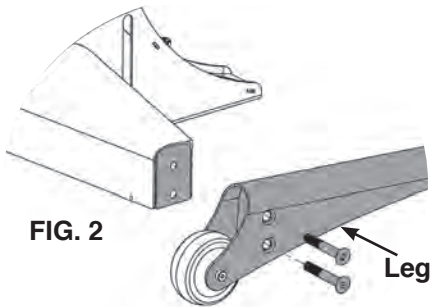


FIG. 2- Using the bolts provided, place the legs on each side of the base and tighten bolts securely.

For Swing-Out Leg assembly, see p. 5.

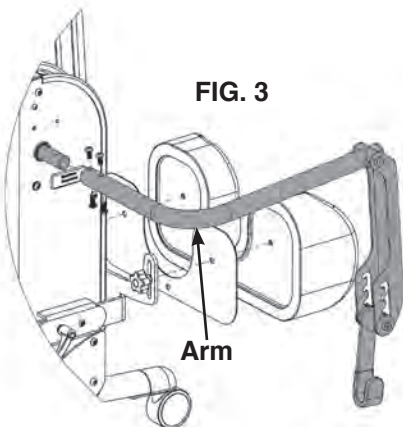


FIG. 3- Remove bolts from the lifting rods, place the arms onto the lifting rod on the base, insert bolts and tighten securely.

FIG. 4- Remove the yellow shipping tab that is placed onto the tray column. Insert the tray post into the front column with the mounting holes toward the top. Place the tray assembly onto the tray post, insert nut into slot and bolt into hole, tighten securely. The tray clamp on the front frame may need adjustment to fit the tray post into the frame.

Tray Assembly

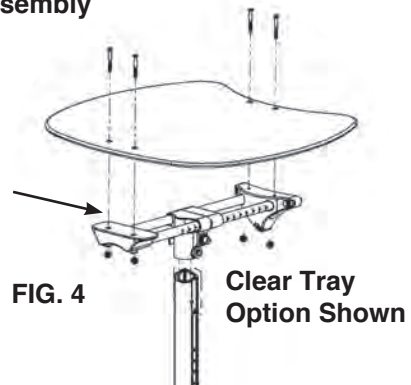
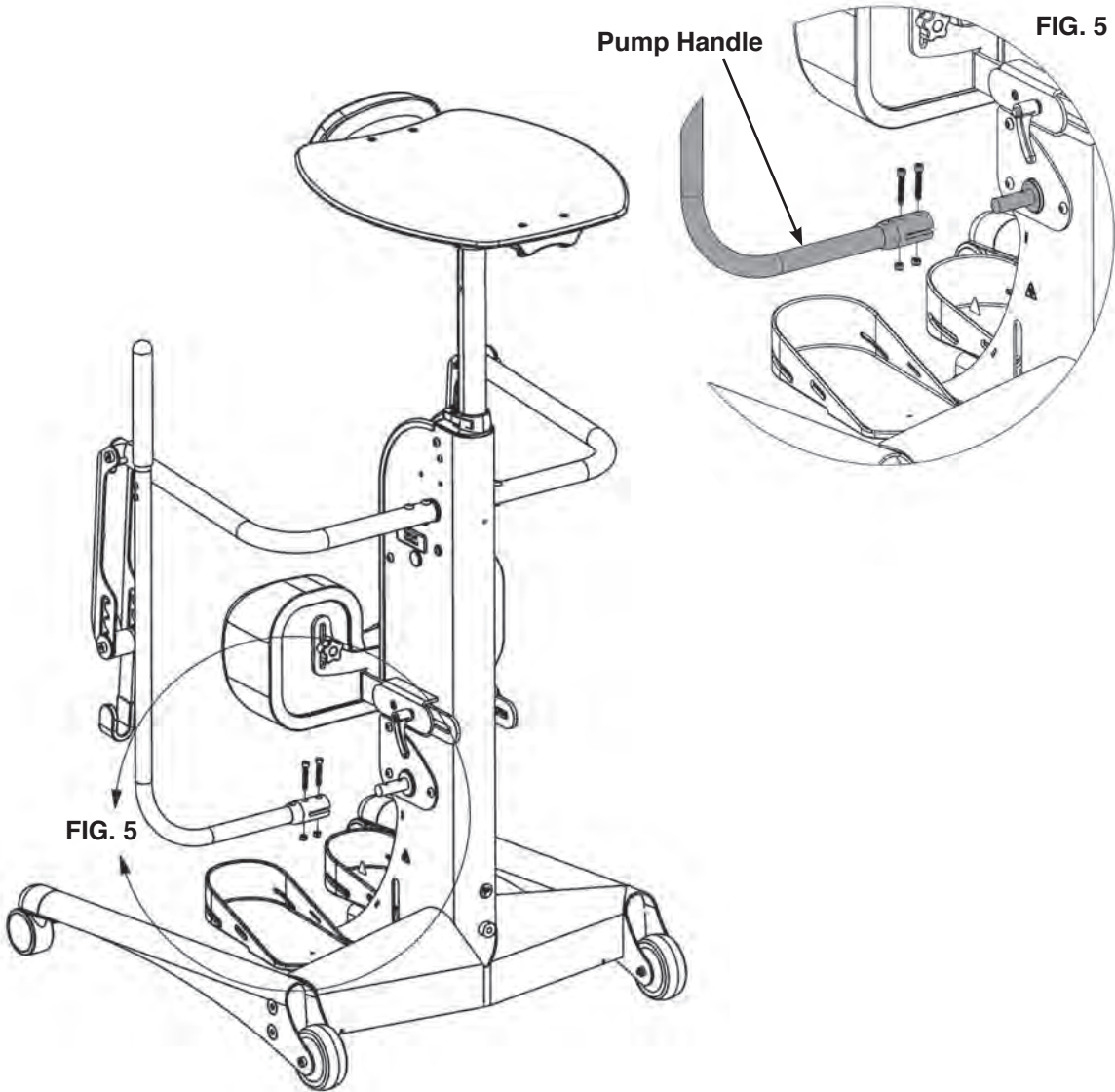


FIG. 5- Attach the pump handle to the pump on the base with bolts and nuts, tighten securely.



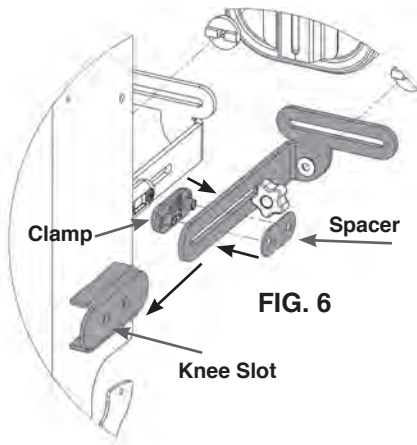


FIG. 6

FIG. 6- Remove all hardware from the knee bracket. Make sure the 2 nuts are in the back side of the clamp, place the clamp into the knee slot on the unit. Place the knee bracket and the spacer into the slot making sure the spacer is between the knee bracket and knee slot, lining up with the clamp.

Note the curve of the knee bracket is up.

FIG. 7- Place washer onto the ratchet handle insert handle through the knee bracket, spacer and into the clamp.

Place washer onto the bolt, insert bolt through the knee bracket, spacer and into the clamp. Tighten snug, but allow knee assembly to slide freely.

FIG. 8- For standard knee pads, remove the three bolts from the knee pad, making sure the plastic insert stays in place. Place the knee pad onto the bracket and insert top two bolts before inserting the middle bolt. Tighten securely.

For independent knee pads, place the knee pads onto the knee pad brackets, tighten knobs securely. The narrow end of the slotted washer for the knee pads will be inserted into the bracket.

REFERENCE DRAWING ON P. 11.

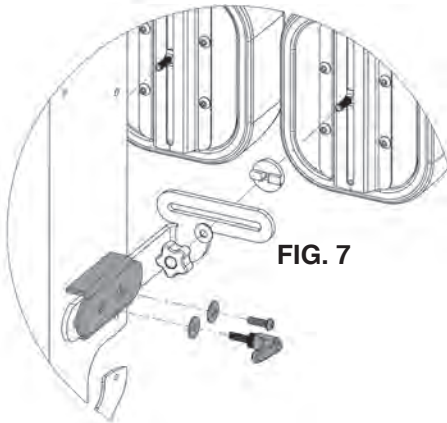
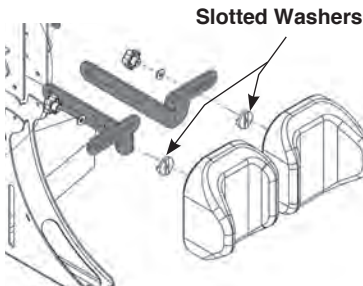


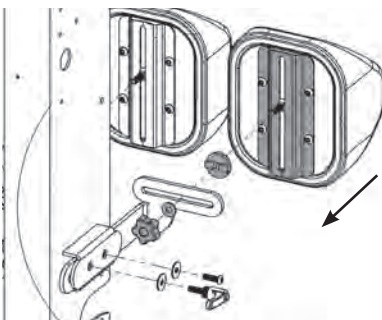
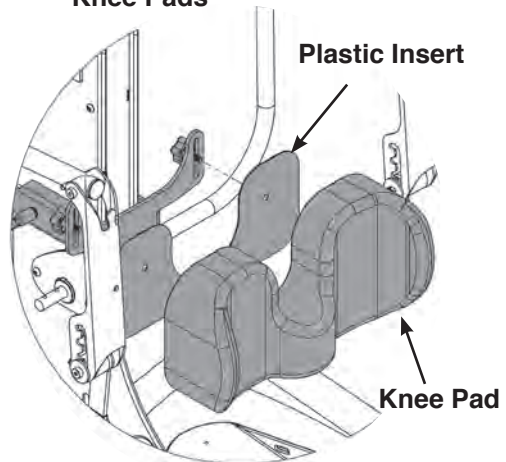
FIG. 7



**Independent
Knee Pads**

FIG. 8

**Standard
Knee Pads** **FIG.8**



Swing-Out Leg Assembly

FIG. 9- Place the leg bracket onto the base with the single hole towards the bottom and the slotted hole toward the back. Apply provided loctite to bolts before inserting and tightening securely.

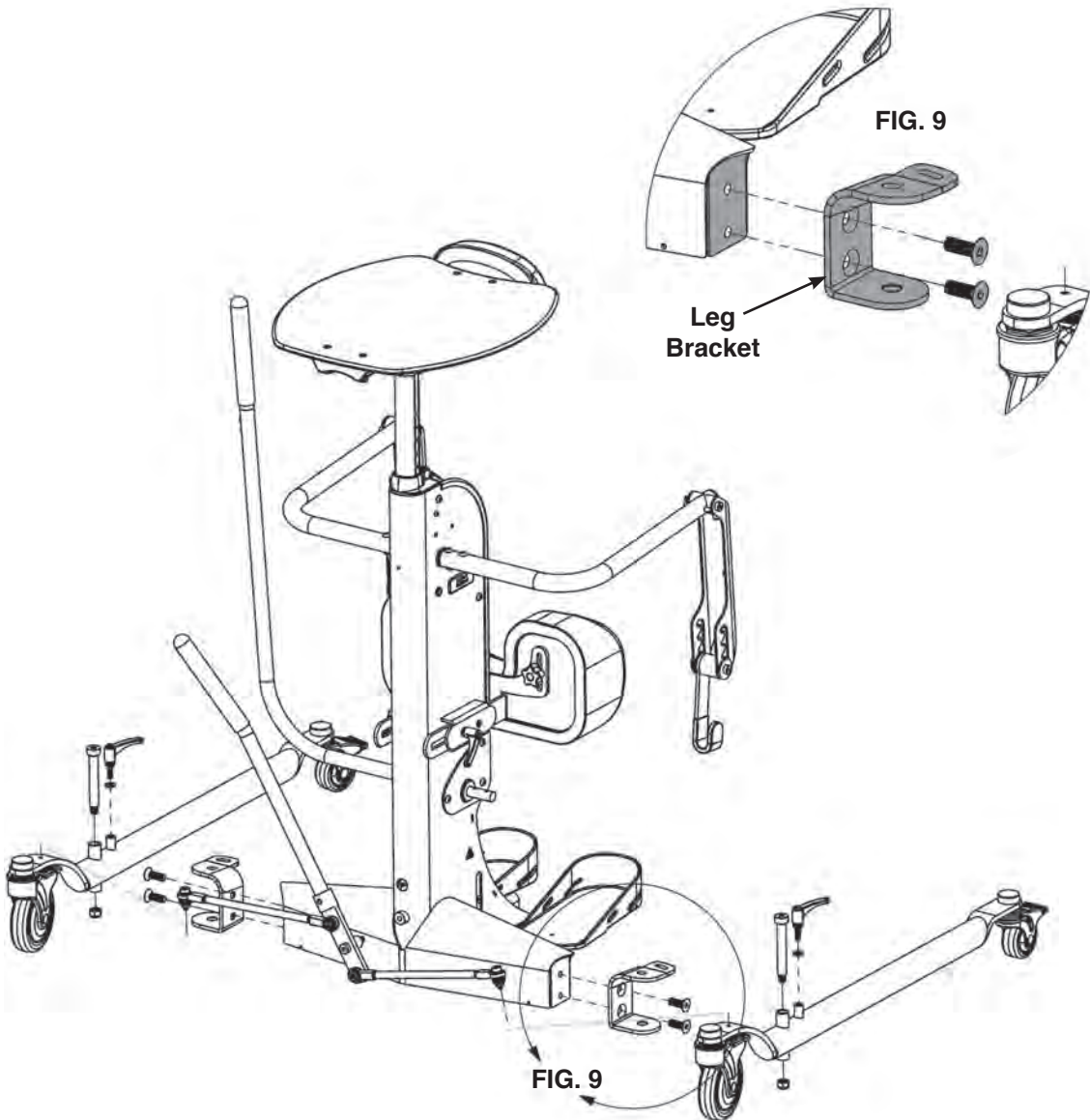


FIG. 10- Place the leg inside the leg bracket. Insert the ratchet handle into the slotted hole and tighten securely. Insert the bolt into the hole in the bracket and through the leg. Attach nut and tighten securely.

FIG. 11- Assemble handle assembly as shown, place the handle assembly onto the caster brackets as shown. Make sure the washers are placed between the caster bracket and the handle arm. Place nut onto the bolt and tighten securely.

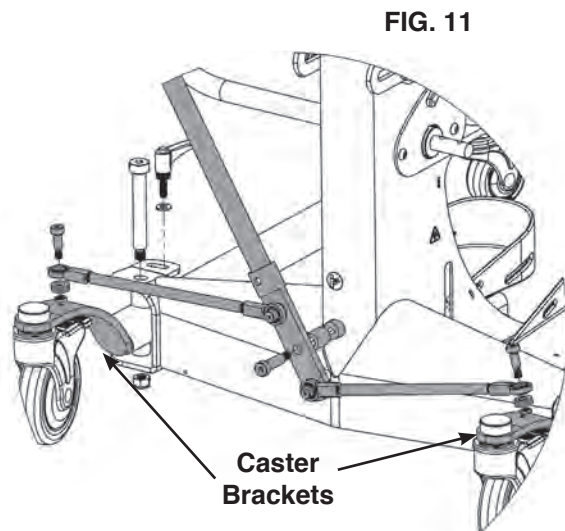
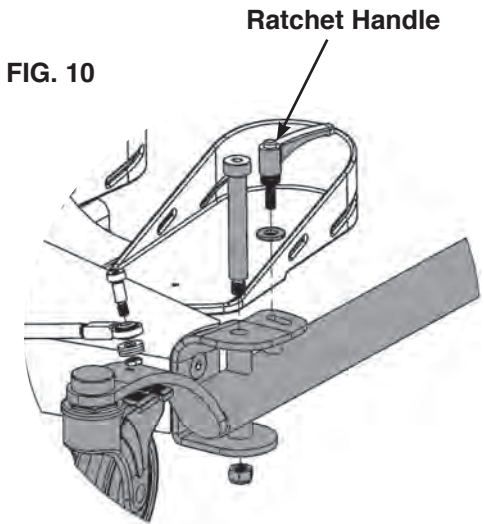
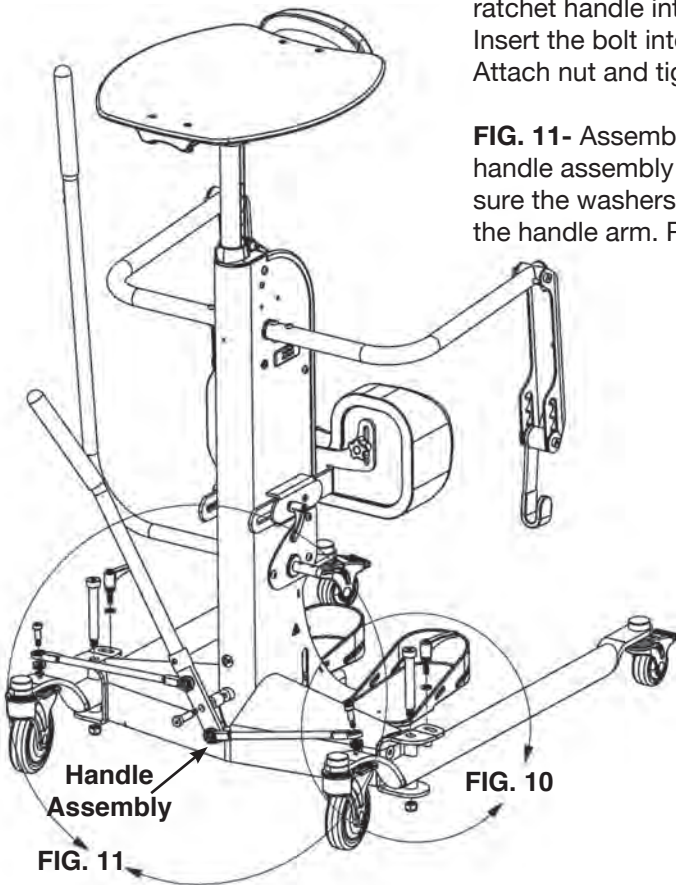
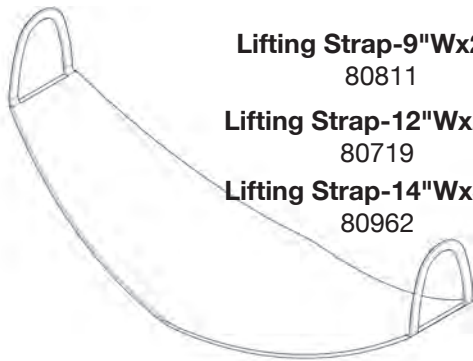


FIG. 11

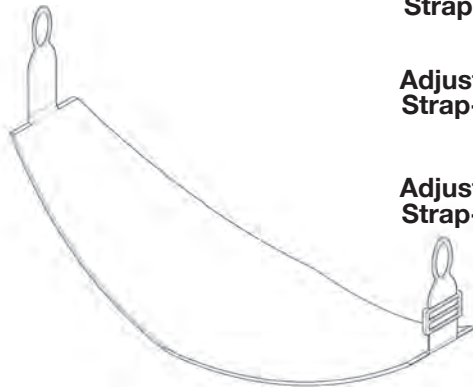
Option Assembly



Lifting Strap-9"Wx25"L
80811

Lifting Strap-12"Wx28"L
80719

Lifting Strap-14"Wx32"L
80962



Adjustable Lifting Strap-10"Wx26"L
80882

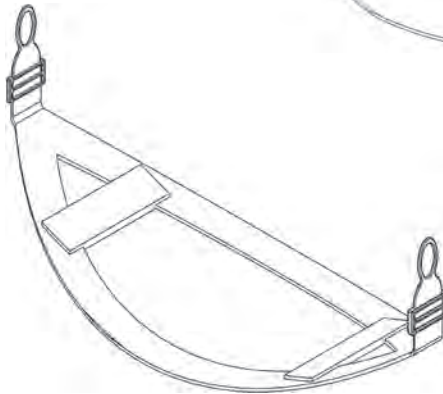
Adjustable Lifting Strap-12"Wx29"L
80881

Adjustable Lifting Strap-14"Wx32"L
80963

Adjustable Sling Strap-9"Wx25"L
82205

Adjustable Sling Strap-12"Wx28"L
82206

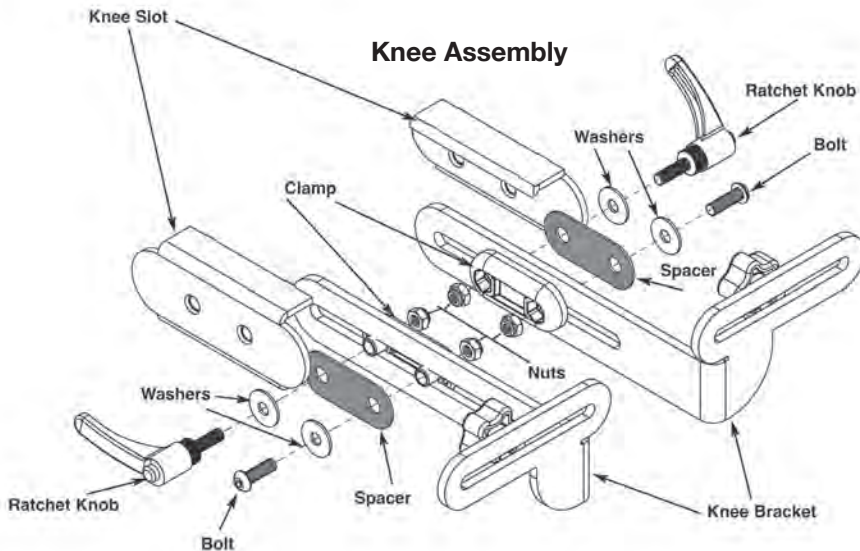
Adjustable Sling Strap-14"Wx32"L
82207



Adjustable Lifting Harness-10"Wx26"L
82280

Adjustable Lifting Harness-12"Wx29"L
82281

Adjustable Lifting Harness-14"Wx32"L
82282



Clear Tray (shown)

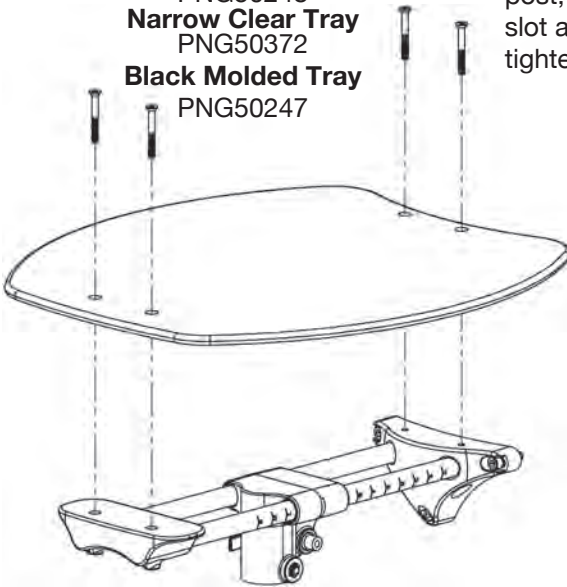
PNG50248

Narrow Clear Tray

PNG50372

Black Molded Tray

PNG50247



Place tray onto the tray post, insert nut into slot and bolt into hole, tighten securely.

Clear Angle Adjustable Tray (shown)

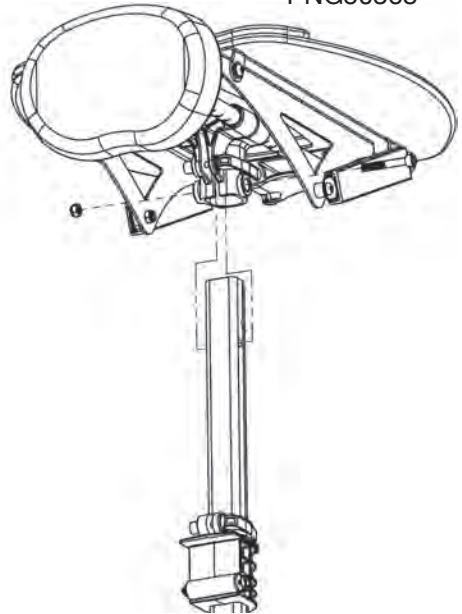
PNG50366

Narrow Clear Angle Adjustable Tray

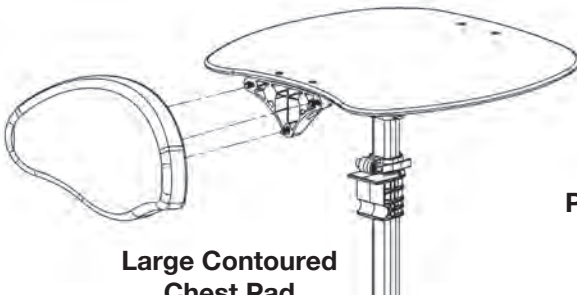
PNG50327

Black Molded Adjustable Tray

PNG50368



Remove bolts from chest pad and place onto tray. Tighten bolts securely.

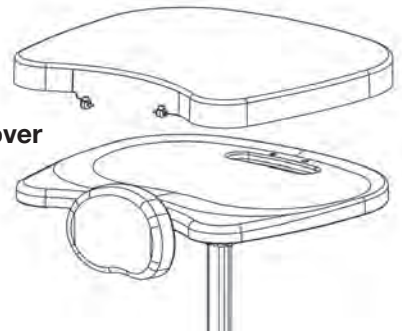


Large Contoured Chest Pad

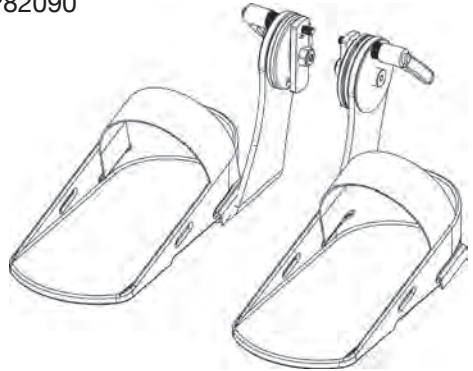
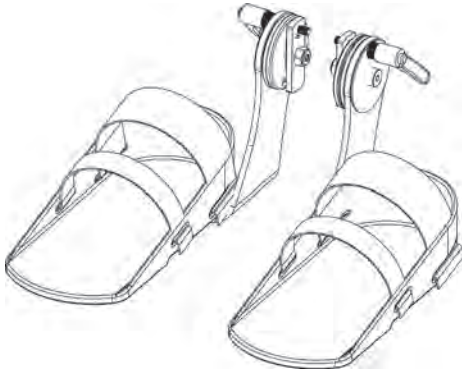
PNG30000

Padded Tray Cover

PNG30295



Multi-Adjustable Foot plates
P82090



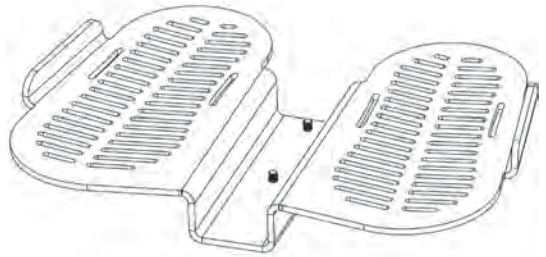
Secure Foot Straps
PNG30030-15"L
PNG50505-21"L

Foot Straps
PNG30031-15"L
PNG50506-21"L

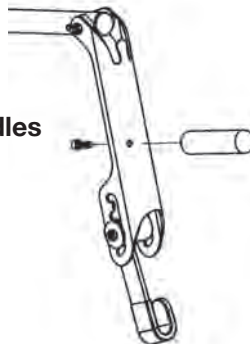


Hand Grips
PNG50042

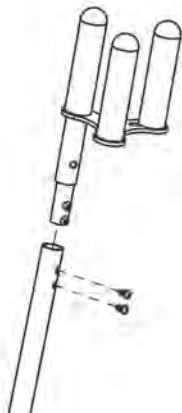
XL Foot plate
P82144



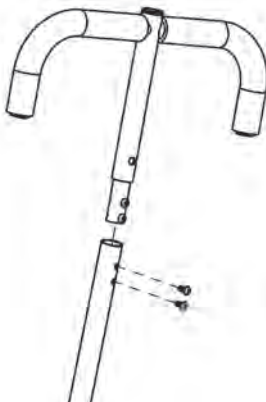
Grab Handles
P82062



**Quad Grip Handle
Extension**
PNG50044



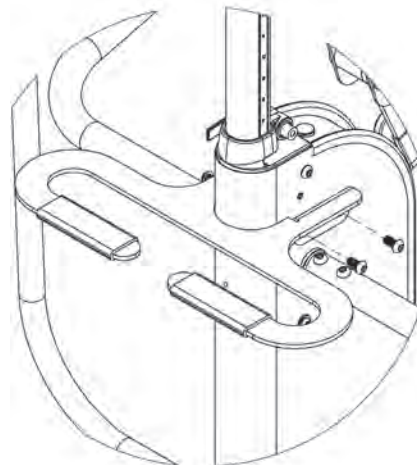
**T-Style Handle
Extension**
PNG50070



**Removable Actuator
Handle**
P82264

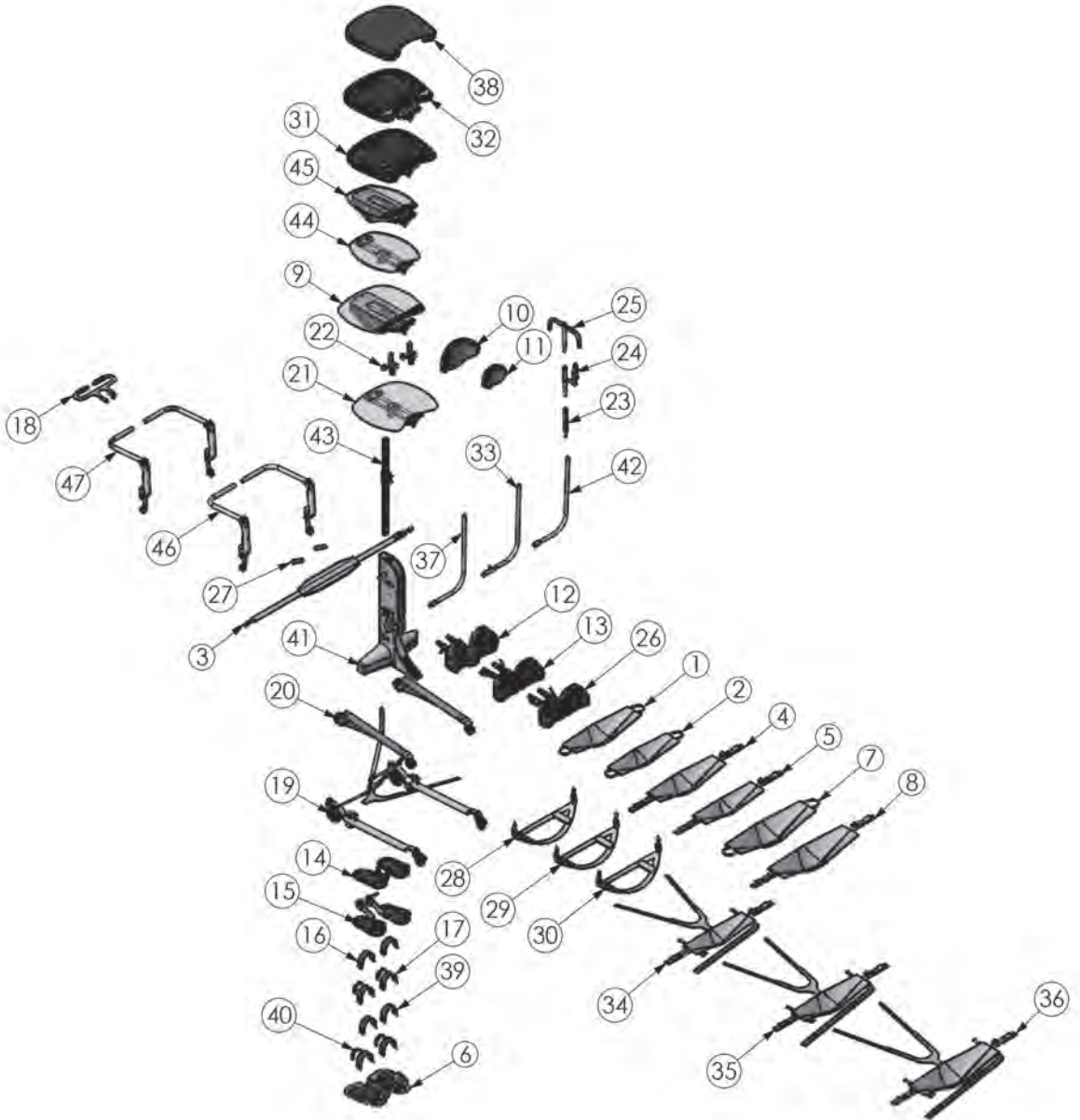


**Upper Body Sup-
port Strap**
P80829



Transport Handle
P82160

StrapStand Options & Parts Detail



ITEM NO.	PART NO.	QTY.	NAME
1	80719	1	LIFTING STRAP 12"W X 28"L
2	80811	1	LIFTING STRAP 9"W X 25"L
3	80829	1	STRAP BACK LIFTING
4	80881	1	ADJ LIFTING STRAP 12"W X 29"L
5	80882	1	ADJ LIFTING STRAP 10"W X 26"L
6	82144	1	FOOT PLATE OVERSIZED STRAPSTAND
7	80962	1	LIFTING STRAP 14"W X 32"L
8	80963	1	ADJ LIFTING STRAP 14"W X 32"L
9	NG50366	1	ASMBLY TABLE TILT CLEAR
10	NG30000	1	PAD FRONT EXTRA SUPPORT
11	NG30001	1	PAD CHEST STANDARD
12	82202	1	STANDARD KNEE STRAPSTAND
13	82101	1	ASMBLY KNEE INDEPENDENT STRAPSTAND
14	82091	1	STRAPSTAND STANDARD FOOT ASSEMBLY
15	82090	1	FOOT ASMBLY STRAPSTAND
16	ng30030	1	FOOT STRAPS 15"L
17	NG30031	1	SECURE FOOT STRAPS 15"L
18	82160	1	TRANSPORT HANDLE STRAPSTAND
19	82188	1	SWING OUT LEG ASSEMBLY
20	82186	1	STANDARD LEG OPTION
21	NG50248	1	TABLE EVOLV ACRYLIC
22	NG50042	1	SUPPORT GRIP OPTION
23	NG50260	1	HANDLE STANDARD TOP
24	NG50044	1	QUAD GRIP OPTION
25	NG50070	1	ACTUATOR HANDLE EXTENSION EVOLV LG
26	82189	1	ASMBLY KNEE ROHO IND STRAPSTAND
27	82062	1	STRAPSTAND GRAB HANDLES
28	82205	1	ADJ SLING STRAP 9"W X 25"L
29	82206	1	ADJ SLING STRAP 12"W X 28"L
30	82207	1	ADJ SLING STRAP 14"W X 32"L
31	NG50247	1	TABLE EVOLV STANDARD
32	NG50368	1	ASMBLY TABLE STANDARD TILT
33	82264	1	REMOVEABLE PUMP HANDLE STRAPSTAND
34	82280	1	ADJ LIFTING HARNESS 10"W X 26"L
35	82281	1	ADJ LIFTING HARNESS 12"W X 29"L
36	82282	1	ADJ LIFTING HARNESS 14"W X 32"L
37	82286	1	PUMP HANDLE STRAPSTAND
38	NG30295	1	PADDED TRAY COVER
39	NG50505	1	FOOT STRAPS 21"L
40	NG50506	1	SECURE FOOT STRAPS 21"L
41	2100	1	STRAPSTAND STANDARD
42	82300	1	PUMP HANDLE STRAPSTAND NARROW
43	NG50309	1	TABLE POST ASSEMBLY
44	NG50372	1	TABLE EVOLV MOBILE
45	NG50327	1	ANGLE ADJUSTABLE TRAY MOBILE
46	82332	1	STRAPSTAND ARMS WIDE
47	82334	1	STRAPSTAND ARMS NARROW

AltimateMedical

262 West 1st St.
Morton, MN 56270 USA
Toll Free: 800.342.8968 or 507.697.6393
Fax Free: 877.342.8968 or 507.697.6900
email: info@easystand.com
easystand.com

Assembly Manual



Medical Product Service GmbH
Borngasse 20
35619 Braunfels
Deutschland



MPS Medical Product Service UK Ltd
Northgate House
Northgate Street
Devizes
Wiltshire England SN10 1JX



MPS Medical Product Service Switzerland, CO/Accumed Sagl
Morbio Inferiore
Viale Serfontana 10
CH-6834 Switzerland



Standing technology should only be used under the guidance of a physician with recommendations for standing program protocol and any medical precautions. Standing programs should be monitored by the attending therapist. AMI maintains a policy of continual product improvement and reserves the right to change features, specifications, and prices without prior notification. Check with AMI for latest info.
FORM STRAPSTANDMANASSEM 012623 REV A Copyright © 2023 Altimate Medical, Inc. All rights reserved. Printed in the U.S.A.